

Matrix A2 MASTERLED - Universal adapter

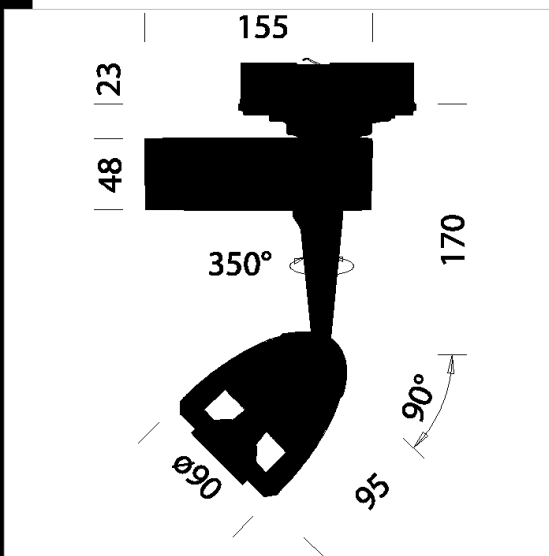


Housing: In die-cast aluminium with central shaft to carry cables.
Coating: with a UV-stabilised powder acrylic-resin paint
Equipment: Supplied with an aiming bar .

Regulations: Manufactured in accordance with EN 60598-1-CEI 34.21 standards. Degree of protection in accordance with EN60529 standards.

MASTERLED 7W - 3000K - 410lm - CRI 90 - 24°

MASTERLED: particularly suited for public spaces such as reception halls, entrance lobbies, corridors, stairways and bathrooms where lights stay on all day, 40,000 hours of lifespan, and 80% energy saving compared to ALO 35W.



Code	Gear	Kg	Watt	Base	Lamps	Colour
22100174-00	CLD CELL-D	1,00	MASTERLED 7W		410lm-3000K - 24°-CRI 90	SILVER

Accessories



- Universal adapter recessed



- Universal adapter base



Download

DXF 2D
- 100175.dxf