

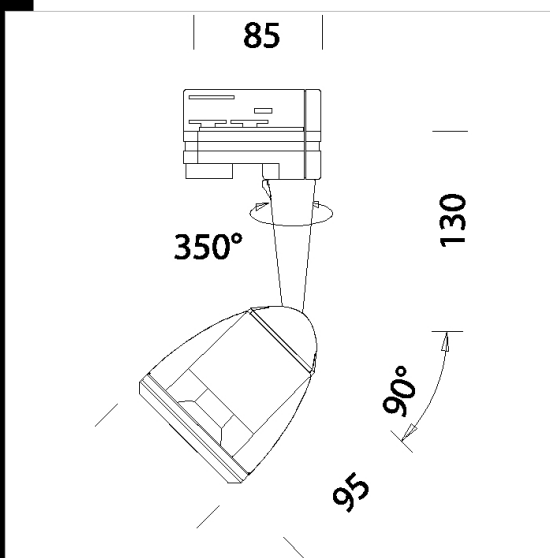
## Matrix A3 - Universal adapter

Housing: In die-cast aluminium with central shaft to carry cables.  
 Coating: with a UV-stabilised powder acrylic-resin paint  
 Equipment: Supplied with an aiming bar .  
 Regulations: Manufactured in accordance with EN 60598-1-CEI 34.21 standards. Degree of protection in accordance with EN60529 standards.  
 Power factor: 0.8  
 Luminous flux maintenance 70% 25000h (L70B50)  
 Photobiological safety class: exempt group EN62471.

### Download

DXF 2D  
 - malrix35bin.dxf

Montaggi  
 - MATRIX A-B rev1.pdf



Code	Gear	Kg	Lumen Output-K-CRI	WTot	Colour
22100013-00	CLD CELL	0.50	LED SMD-500lm-3000K-38°-CRI 80	6 W	BIANCO
22100033-00	CLD CELL	0.50	LED SMD-500lm-3000K-38°-CRI 80	6 W	NERO
22100073-00	CLD CELL	0.55	LED SMD-500lm-3000K-38°-CRI 80	6 W	ARGENTO

### Accessories



- Universal adapter recessed



- Universal adapter base

The reported luminous flux is the flux emitted by the light source with a tolerance of  $\pm 10\%$  compared to the indicated value. The W tot column indicates the total wattage absorbed by the system without exceeding 10% of the indicated