

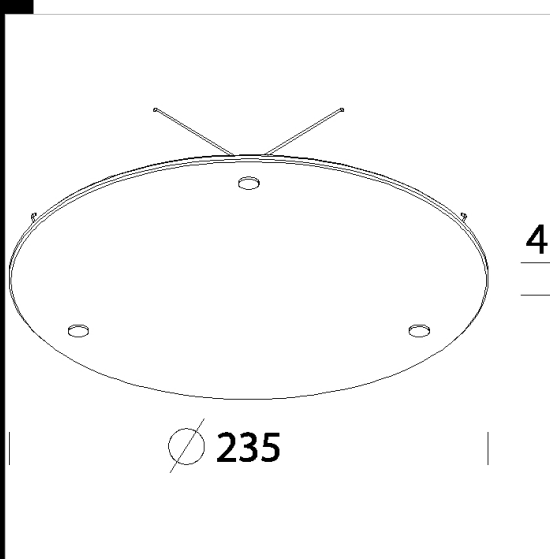
IK06

v.l.
IP23

Silk-screen printed glass - Office

Download

DXF 2D
- 92314.dxf



Code	Kg	WTot
22092314-00	0.45	0 W

Products



- Office 4 - 65°



- Office 3 - 65°



- Office 6 - 65° PL-R



- Office 2 - 65°



- Office 5 - 65° IP44

The reported luminous flux is the flux emitted by the light source with a tolerance of $\pm 10\%$ compared to the indicated value. The W tot column indicates the total wattage absorbed by the system without exceeding 10% of the indicated