



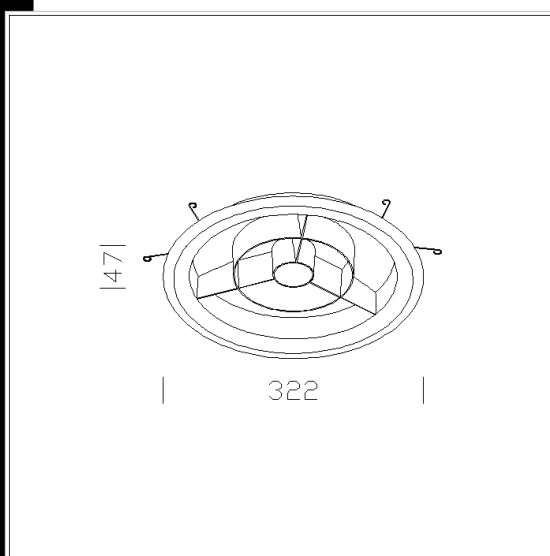
Download

DXF 2D
- 92312.dxf



Dark ring

Ring with low-luminance shield. Shield in aluminium-powder metallized polycarbonate. To be used with art. Euro1.



Code	Kg	WTot	Colour
22092312-00	0.45	0 W	WHITE

Products



- Euro 1



- Euro 3 with external glass



- Euro 2 with glass

The reported luminous flux is the flux emitted by the light source with a tolerance of $\pm 10\%$ compared to the indicated value. The W tot column indicates the total wattage absorbed by the system without exceeding 10% of the indicated