

IP23

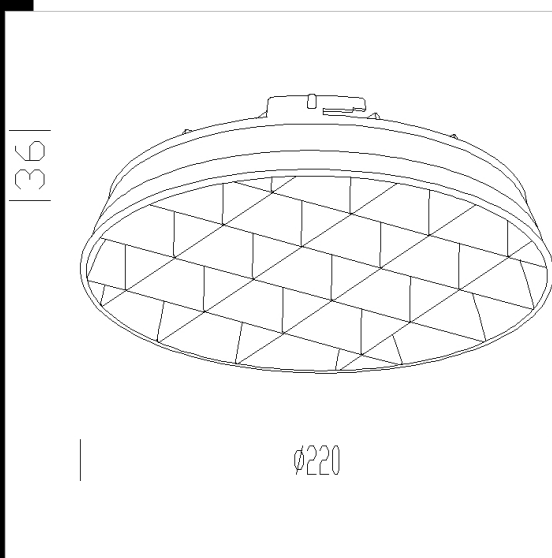
Download

DXF 2D
- 91875.dxf



Metallic ring Energy 2000

Square mesh louvre in metallic polycarbonate for greater control of the light.



Code	Kg	WTot	Colour
22091875-00	0.25	0 W	METALLIC

Products



- Energy 2000 with box



- Energy 2000



- Energy EM

The reported luminous flux is the flux emitted by the light source with a tolerance of $\pm 10\%$ compared to the indicated value. The W tot column indicates the total wattage absorbed by the system without exceeding 10% of the indicated