

v.l.
IP43

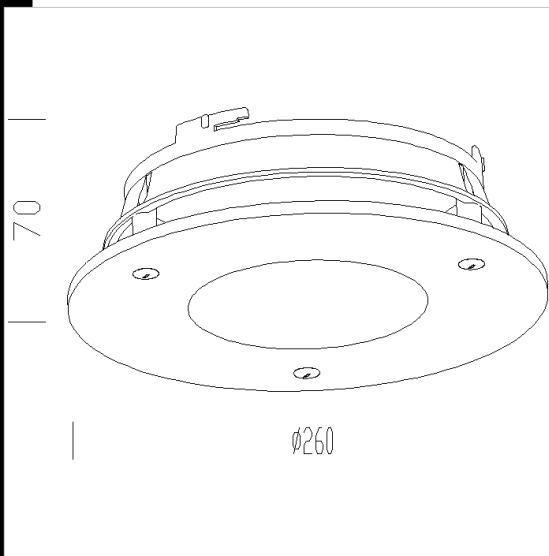
Download

DXF 2D
- 91815.dxf



Glass Energy 2000

Tempered silk screen printed finishing glass in silk finish sheet steel to prevent insects from entering between the glass and polycarbonate ring.



Code	Kg	WTot	Colour
22091815-00	0.95	0 W	SILK SCREEN

Products



- Energy 2000 with box



- Energy 2000



- Energy EM

The reported luminous flux is the flux emitted by the light source with a tolerance of $\pm 10\%$ compared to the indicated value. The W tot column indicates the total wattage absorbed by the system without exceeding 10% of the indicated