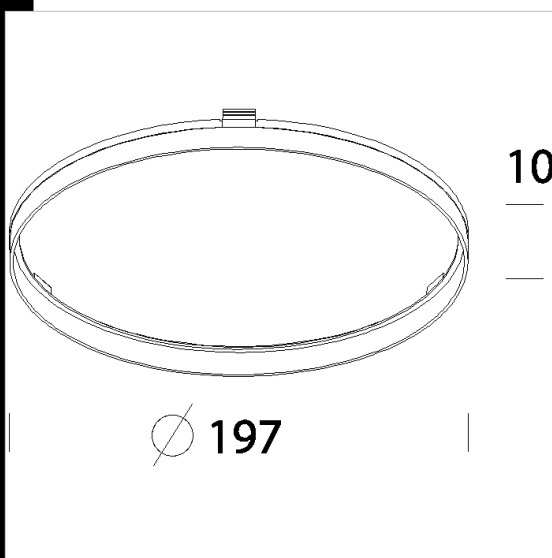
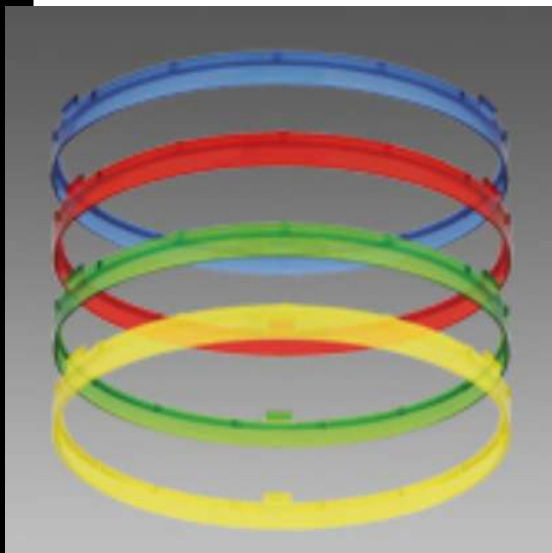


Coloured office ring

Download

DXF 2D
- 91845.dxf



Code	Kg	WTot	Colour
22091802-00	0.03	0 W	TRANSPARENT
22091887-00	0.50	0 W	BLUE
22091828-00	0.50	0 W	RED
22091803-00	0.03	0 W	OPAL
22091845-00	0.50	0 W	GREEN
22091856-00	0.50	0 W	YELLOW

Products



- Office 4 - 65°



- Office 3 - 65°



- Office 6 - 65° PL-R



- Office 2 - 65°



- Office 5 - 65° IP44

The reported luminous flux is the flux emitted by the light source with a tolerance of $\pm 10\%$ compared to the indicated value. The W tot column indicates the total wattage absorbed by the system without exceeding 10% of the indicated