



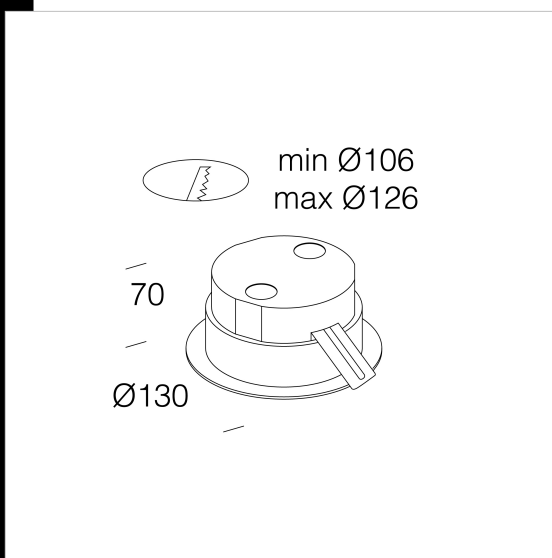
Download

DXF 2D
- 91610.dxf



Acc. recessed

To be used with acc. base for universal adapter and DIMM 1/10V-DALI adapter.



Code	Kg	WTot	Colour
22091610-00	0,13	0 W	WHITE
22091630-00	0,13	0 W	BLACK
22091670-00	0,13	0 W	GREY

Prodotti



- Vision 2.0 small - short -



- Vision 2.0 big L - Long -



- Vision 2.0 big C - long -



- Vision 2.0 small - tiges -



- Vision 2.0 big - tiges - universal adapter



- Vision 2.0 big - tiges - short - universal adapter



- Vision 2.0 small - tiges - short - universal adapter

The reported luminous flux is the flux emitted by the light source with a tolerance of $\pm 10\%$ compared to the indicated value. The W tot column indicates the total wattage absorbed by the system without exceeding 10% of the indicated