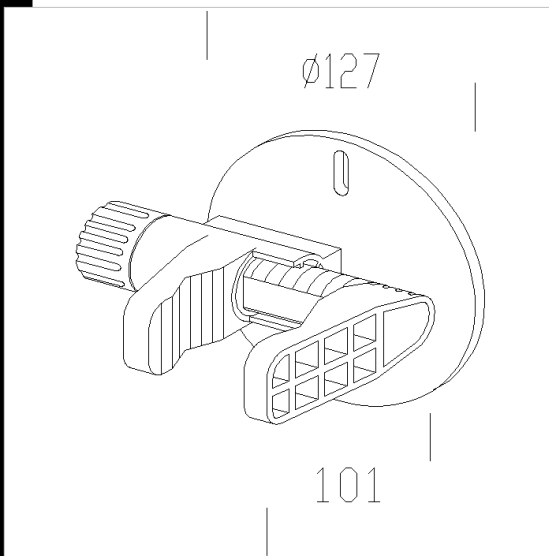




## Clamp

In fiberglass nylon. For provisional application a wide number of surfaces.



Code	Kg	WTot	Colour
22091438-00	0.50	0 W	BLACK

### Products



- Trial LED - COB



- Trial-one ceramic



- Gotham



- Gotham CDM-R

The reported luminous flux is the flux emitted by the light source with a tolerance of  $\pm 10\%$  compared to the indicated value. The W tot column indicates the total wattage absorbed by the system without exceeding 10% of the indicated