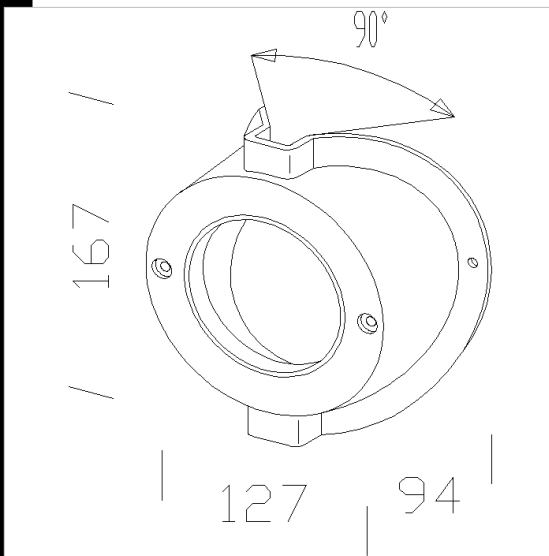


Angle support

In fiberglass nylon. For application on an external corner.
To be used with 22091470-00 - 22091430-00 - 22091410-00



Code	Kg	WTot	Colour
22091435-00	0,10	0 W	BLACK

Prodotti



- Trial LED - COB



- Trial-one ceramic



- Gotham



- Gotham CDM-R

The reported luminous flux is the flux emitted by the light source with a tolerance of $\pm 10\%$ compared to the indicated value. The W tot column indicates the total wattage absorbed by the system without exceeding 10% of the indicated