

3° IP  
IK

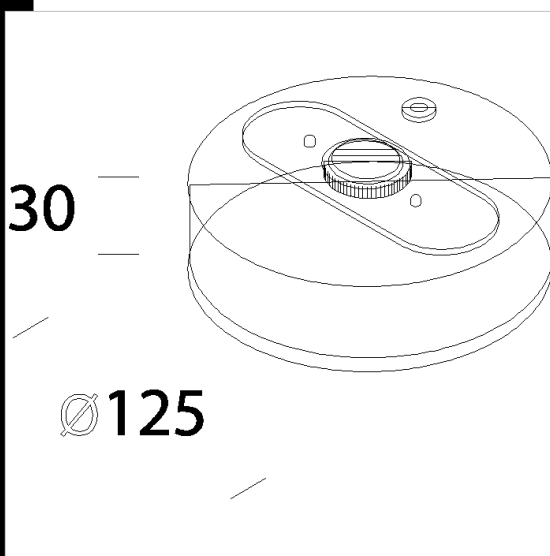
Download

DXF 2D  
- 91410.dxf



## Base

In die-cast aluminium. Base for wall or ceiling installation.



Code	Kg	WTot	Colour
22091410-00	0,35	0 W	WHITE
22091470-00	0,35	0 W	SILVER
22091430-00	0,35	0 W	BLACK

## Prodotti



- Gotham CDM-R



- Trial-one ceramic



- Zoom 1



- Gotham MASTERLED AR111



- Zoom 2



- Trial LED - COB



- Gotham LED111



- Gotham VIVID



- Gotham



- Gotham CDM-T elite

The reported luminous flux is the flux emitted by the light source with a tolerance of  $\pm 10\%$  compared to the indicated value. The W tot column indicates the total wattage absorbed by the system without exceeding 10% of the indicated