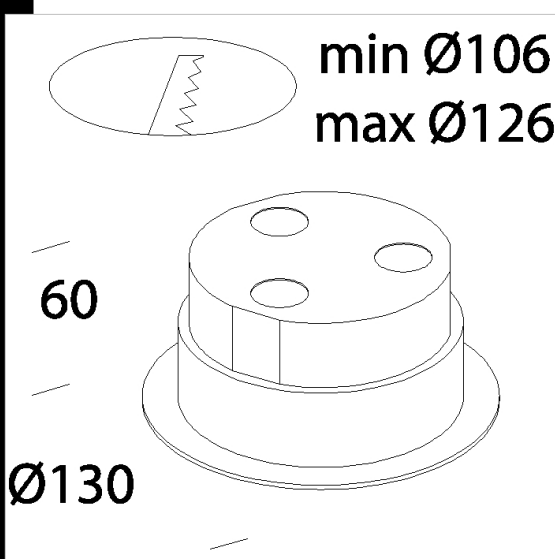


## Universal adapter recessed

### Download

DXF 2D  
- incuniv.dxf



Code	Kg	WTot	Colour
22091110-00	0,13	0 W	WHITE
22091130-00	0,13	0 W	BLACK
22091170-00	0,13	0 W	GREY

### Prodotti



The reported luminous flux is the flux emitted by the light source with a tolerance of  $\pm 10\%$  compared to the indicated value. The W tot column indicates the total wattage absorbed by the system without exceeding 10% of the indicated

Universal adapter recessed

---

Prodotti



- Krypton 1B



- Krypton 3B

The reported luminous flux is the flux emitted by the light source with a tolerance of  $\pm 10\%$  compared to the indicated value. The W tot column indicates the total wattage absorbed by the system without exceeding 10% of the indicated