



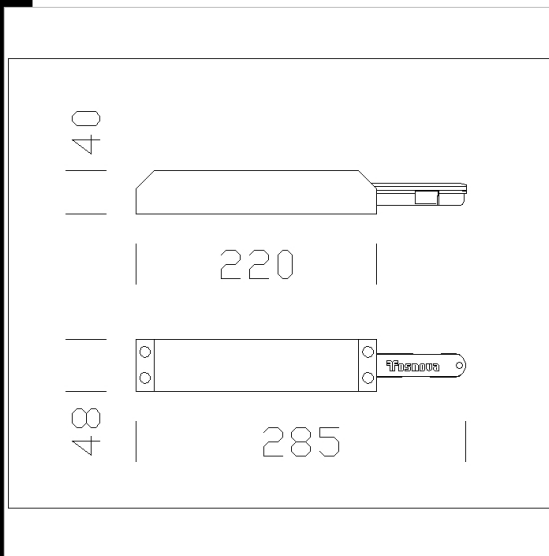
Download

DXF 2D
- 90850.dxf



Electronic transformer 250W

Complete with power supply.



| Code | Kg | WTot |
|-------------|------|------|
| 22090851-00 | 0.49 | 0 W |
| 22090850-00 | 0.60 | 0 W |

Products



- Corner

The reported luminous flux is the flux emitted by the light source with a tolerance of $\pm 10\%$ compared to the indicated value. The W tot column indicates the total wattage absorbed by the system without exceeding 10% of the indicated