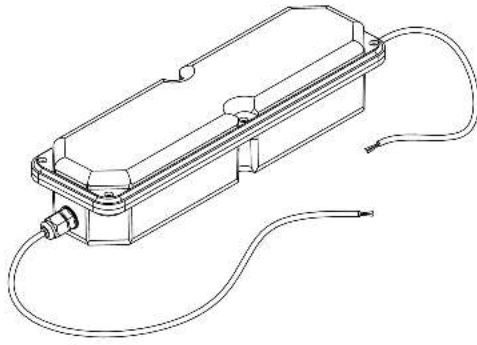




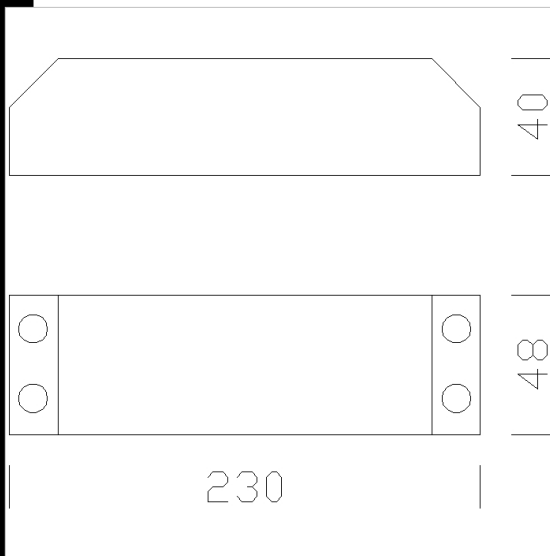
**Download**

DXF 2D  
- trasel.dxf



## Electronic transformer

Range of electromechanical and electronic transformers available for spot power supply. They are specially designed to correctly supply halogen lamps at their rated voltage. Since the transformer/halogen lamps system is a virtually resistive load, no power factor correction is needed. Electronic dimming transformer.



Code	Gear	Kg	Lumen-K-CRI	WTot
22090847-00	CEL-D	0.30	200---	0 W
22090816-00	CEL-D	0.05	50---	0 W
22090826-00	CEL	0.15	100---	0 W
22090836-00	CEL-D	0.18	150---	0 W

The reported luminous flux is the flux emitted by the light source with a tolerance of  $\pm 10\%$  compared to the indicated value. The W tot column indicates the total wattage absorbed by the system without exceeding 10% of the indicated