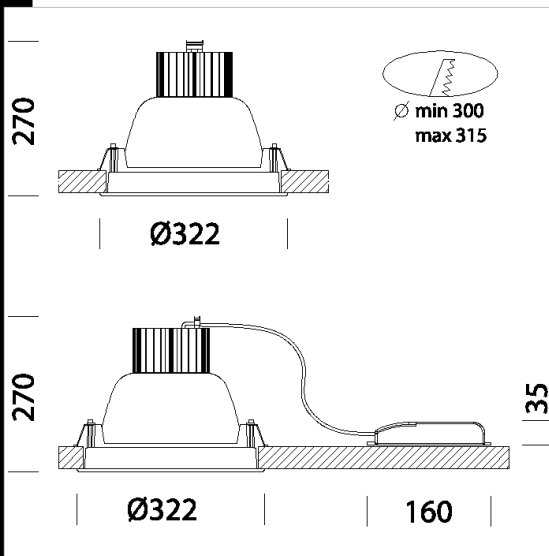


Euro Lex LED 14



Housing: in die cast aluminium
 Diffuser: panel in PMMA, 6 mm thick, with laser silk-screening suitably dimensioned based on the power level of the LED
 Reflector: V2 self-extinguishing polycarbonate; aluminium powder coated through a C.V.D. hard-vacuum process for greater light control and efficiency.
 Coating: Anionic electrocoating in acrylic white UV-stabilised lacquer.
 Standard supply: Includes adjustable steel bracket.
 Regulations: Manufactured in accordance with standards EN60598 – CEI 34 –21. Degree of protection in accordance with standards EN60529.
 Power factor: 0.92
 Photobiological safety class: Exempt group.
 Luminous flux maintenance 80%: 50.000h (L80B20).
 recessed Ø 300/315mm



Code	Gear	Kg	Lumen Output-K-CRI	WTot	Colour
22089710-00	CLD	2.60	LED COB CREE-6261lm-4000K-CRI>90	69 W	WHITE

Download
 DXF 2D
 - euro14.dxf
 Montaggi
 - EURO_14_rev2.pdf

The reported luminous flux is the flux emitted by the light source with a tolerance of ± 10% compared to the indicated value. The W tot column indicates the total wattage absorbed by the system without exceeding 10% of the indicated