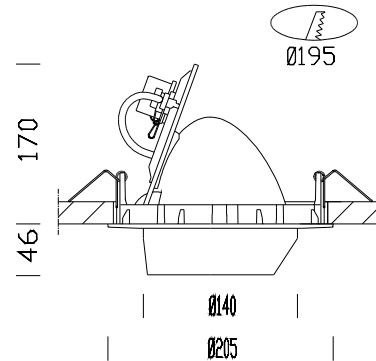


Compendio AR111 LED



Code	Gear	Kg	Colour	Dimensions	W Tot	lamp
22089577-00	CLD CELL	1.00	met. silver	0x0x200 Ø205	12	AR111 LED-GU10-550lm-3000K - 45000h - 25°-Ra 82

Thanks to its extreme versatility, Compendio includes recessed mounting among its installation options. Multi-recessed version also available.

Housing: Die-cast aluminium, with gear box encased inside the structure.

Coating: Acrylic-resin liquid paint, UV-stabilised .

Standard supply: Separate gear box equipped with plug socket connector. When the optic compartment rotates, the port is closed by a plate that dissipates the heat.

Regulations: Manufactured in accordance with standards EN60598 - CEI 34 -21. Degree of protection in accordance with standards EN60529.

AR111 LED: 3000K - 550lm - 45000h - 25° - CRI 82