



Compendio 1

Thanks to its extreme versatility, Compendio includes recessed mounting among its installation options. Multi-recessed version also available.
 Housing: Die-cast aluminium, with gear box encased inside the structure.
 Reflector: For Mastercolour lamp, built from oxidised and polished 99.85 aluminium.

Diffuser: Tempered glass.

Coating: Acrylic-resin liquid paint, UV-stabilised .

Lampholder: Ceramic, with silver-plated contacts.

Electric gear: 230V/50Hz supply with traditional ballast or 12V transformer.
 Silicone wire with fibreglass braid, cross-section: 1.5 sqmm.

Standard supply: Separate gear box equipped with plug socket connector.
 When the optic compartment rotates, the port is closed by a plate that dissipates the heat.

Regulations: Manufactured in accordance with standards EN60598 - CEI 34 -

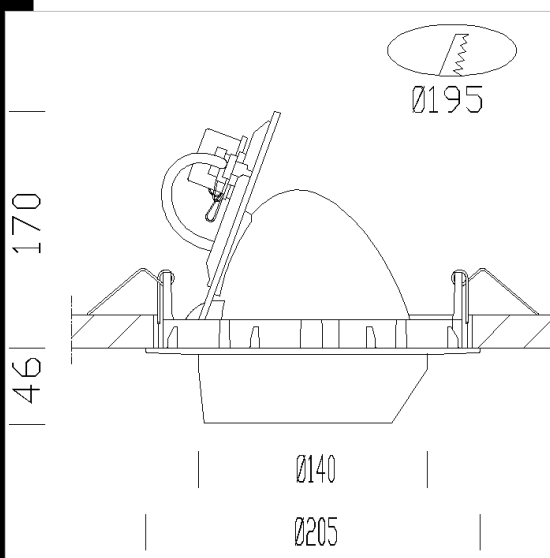
21. Degree of protection in accordance with standards EN60529.

Lamps: Supplied with AR111 Mastercolour or halogen lamps. This version requires no additional accessories to be installed individually.

Download

DXF 2D
 - 89570.dxf

Montaggi
 - compendio.pdf



Code	Gear	Kg	Lumen-K-CRI	WTot	Base	Colour
22089573-00	CELL	1.50	SDW-T 50-2300lm-2500K-Ra 83	65 W	PG12	SILVER
22089571-08	CELL	1.80	CDM-T 70-6600lm-3000K-Ra 1b	78 W	G12	SILVER
22089511-08	CELL	1.50	CDM-T 70-6600lm-3000K-Ra 1b	78 W	G12	WHITE
22089510-08	CELL	1.50	CDM-T 35-3500lm-3000K-Ra 1b	43 W	G12	WHITE
22089570-08	CELL	1.50	CDM-T 35-3500lm-3000K-Ra 1b	43 W	G12	SILVER
22089514-00	CELL	1.45	CDM-R111 70-2850lm-3000K-Ra 1b	80 W	Gx8.5	WHITE
22089572-08	CELL	1.50	CDM-T 150-14000lm-3000K-Ra 1b	161 W	G12	SILVER
22089512-08	CELL	1.80	CDM-T 150-14000lm-3000K-Ra 1b	161 W	G12	WHITE
22089574-00	CELL	1.45	CDM-R111 70-2850lm-3000K-Ra 1b	80 W	Gx8.5	SILVER

Accessories



- Coloured filter



- Baffle louver



- Glass printed



- Conveyor



- Ceiling housing



- Sandblasted glass Compendio



- Filter Compendio



- Reflector Compendio



The reported luminous flux is the flux emitted by the light source with a tolerance of $\pm 10\%$ compared to the indicated value. The W tot column indicates the total wattage absorbed by the system without exceeding 10% of the indicated