

Download

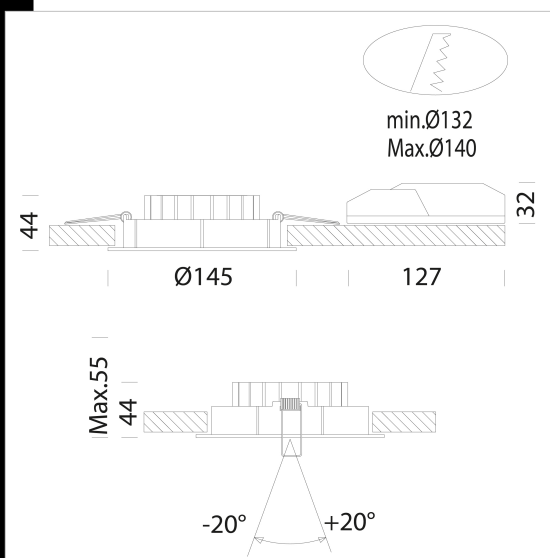
DXF 2D
- ring2017.dxf

Montaggi
- SWING rev2.pdf



Swing Big

Housing: made of die-cast aluminium. Lens: faceted, with high efficiency output and very low glare rate. luminous flux maintenance 80%: 50000h (L80B20).



Code	Gear	Kg	Lumen Output-K-CRI	WTot	Colour
22089411-00	CLD	0,56	LED COB-2442lm-3000K-24°-CRI 85	24 W	WHITE
22089412-00	CLD	0,56	LED COB-2323lm-3000K-38°-CRI 85	24 W	WHITE

The reported luminous flux is the flux emitted by the light source with a tolerance of ± 10% compared to the indicated value. The W tot column indicates the total wattage absorbed by the system without exceeding 10% of the indicated