

Euro 4



A line of recessed fixtures for energy saving lamps and discharge lamps.

Housing: Die-cast aluminium; to be completed with accessories.

Reflector: Oxidised and polished aluminium.

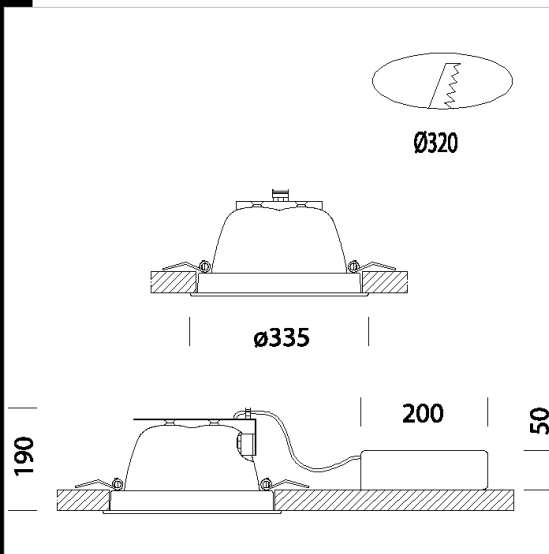
Coating: Anionic electrocoating in acrylic white UV-stabilised lacquer

Lampholder: ceramic with silver-plated contacts.

Electric gear: 230V/50Hz power supply. Hard wire, 0.50 sqmm cross section and heat-resistant (90°C) PVC-HT sheath, in accordance with CEI 20-20 standards; or flexible wire terminated with admiralty brass clamps, silicone insulation with fibreglass braid, cross-section 1.5 sqmm. 2P+T terminal block (maximum allowed lead cross section 2.5 sqmm.). Discharge lamp versions are equipped with thermal protection.

Equipment: Includes zinc-plated adjustable brackets, and safety springs to prevent any accidental fall of the diffuser.

Regulations: Manufactured in accordance with standards EN60598 – CEI 34 –21. Degree of protection in accordance with standards EN60529.



Code	Gear	Kg	Lumen-K-CRI	WTot	Base	Colour
22089310-00	CELL	2.75	FLC 2x42T/E-3200lm-3000K-Ra 1b	94 W	Gx24q-4	BIANCO
22089310-09	CELL-E	4.70	FLC 2x42T/E-3200lm-3000K-Ra 1b	75 W	Gx24q-4	BIANCO
22089315-09	CELL-E	1.73	FLC 2x42T/E-3200lm-4000K-Ra 1b	75 W	GX24q-4	BIANCO
22089315-00	CELL	2.75	FLC 2x42T/E-3200lm-4000K-Ra 1b	94 W	GX24q-4	BIANCO



Download

DXF 2D
- euro 4.dxf

Montaggi
- euro.pdf

The reported luminous flux is the flux emitted by the light source with a tolerance of $\pm 10\%$ compared to the indicated value. The W tot column indicates the total wattage absorbed by the system without exceeding 10% of the indicated