

Euro 3 with external glass

A line of recessed fixtures for energy saving lamps and discharge lamps.

Housing: Die-cast aluminium; to be completed with accessories.

Reflector: Oxidised and polished aluminium.

Coating: Anionic electrocoating in acrylic white UV-stabilised lacquer

Lampholder: ceramic with silver-plated contacts.

Electric gear: 230V/50Hz power supply. Hard wire, 0.50 sqmm cross section and heat-resistant (90°C) PVC-HT sheath, in accordance with CEI 20-20 standards; or flexible wire terminated with admiralty brass clamps, silicone insulation with fibreglass braid, cross-section 1.5 sqmm. 2P+T terminal block (maximum allowed lead cross section 2.5 sqmm.). Discharge lamp versions are equipped with thermal protection.

Equipment: Includes zinc-plated adjustable brackets, and safety springs to prevent any accidental fall of the diffuser.

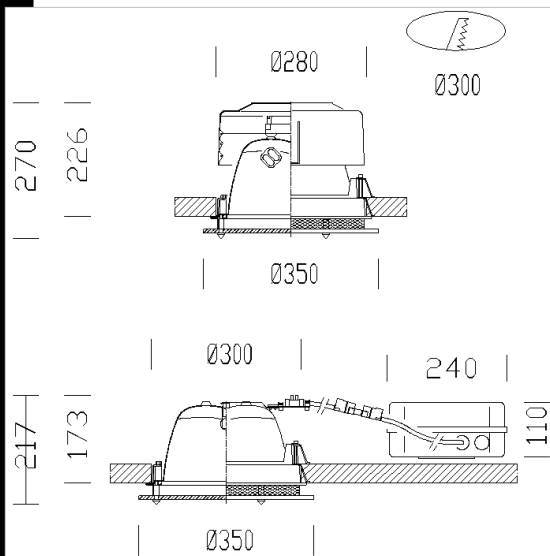
Regulations: Manufactured in accordance with standards EN60598 – CEI 34 –21. Degree of protection in accordance with standards EN60529.

Lamps: Supplied with discharge lamps.

Download

DXF 2D
- euro3.dxf

Montaggi
- 768518 euro.pdf



Code	Gear	Kg	Lumen-K-CRI	WTot	Base	Colour
22089217-08	CELL	6.23	CDM-TS 150-13250lm-3000K-Ra 1b	161 W	Rx7s	WHITE
22089217-79	CNR-L	6.60	CDM-TS + CLA 150 + 100-13250lm-3000K-Ra 1b	166 W	Rx7s	WHITE

Accessories



- Silk-screen printed glass



- Dark ring



- Prismatic ring



- Glass

The reported luminous flux is the flux emitted by the light source with a tolerance of $\pm 10\%$ compared to the indicated value. The W tot column indicates the total wattage absorbed by the system without exceeding 10% of the indicated