

## Luthor Medium - Professional

The range of Luthor recessed spotlights is expanded with three sizes. This enables to fit the spotlights in all fitting holes of the same line of products. Luthor adjustable recessed LED spotlights offer technologically advanced light and are a very solid product with high quality and high performance to illuminate large commercial spaces.

Housing adjustable medium: in die cast aluminium

Reflector: In coated, oxidised and high yield polished aluminium.

Painting: dust painted, using polyester epoxy paint to withstand UV rays.

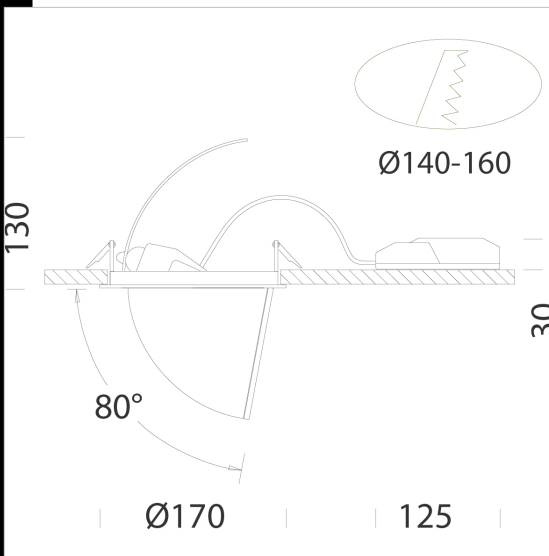
Regulations: Manufactured in accordance with standards EN60598 – CEI 34 –21. Degree of protection in accordance with standards EN60529.

Power factor: >= 0.95

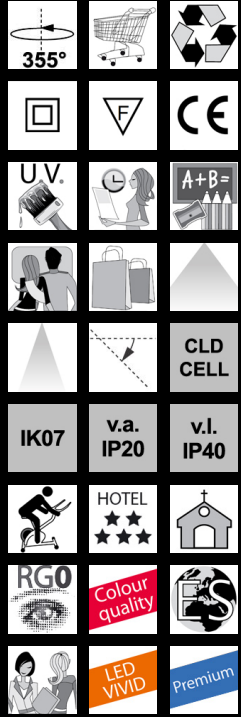
Photobiological safety class: Exempt group.

Luminous flux maintenance 80%: 50.000h (L80B20).

fitting holes 140mm to 165mm



Code	Gear	Kg	Lumen Output-K-CRI	WTot	Colour
22087816-00	CLD CELL	0.90	LED COB-1628-3000K-58°-CRI 93	19 W	BIANCO
22087876-00	CLD CELL	0.90	LED COB-1628-3000K-58°-CRI 93	19 W	ARGENTO
22088910-00	CLD CELL	0.99	LED COB VIVID-2171-3000K-58°-CRI>95	26 W	BIANCO
22088970-00	CLD CELL	0.93	LED COB VIVID-2171-3000K-58°-CRI>95	26 W	ARGENTO
22088911-00	CLD CELL	0.97	LED COB premium white-2109lm-3000K-40°-CRI 92	26 W	BIANCO
22088971-00	CLD CELL	0.95	LED COB premium white-2109lm-3000K-40°-CRI 92	26 W	ARGENTO
22087819-00	CLD CELL	0.97	LED COB-2550lm-2700K HG-15°-CRI>93	24 W	BIANCO
22087879-00	CLD CELL	0.99	LED COB-2550lm-2700K HG-15°-CRI>93	24 W	ARGENTO



### Download

DXF 2D  
- luth2.dxf

Montaggi  
- luthor2017.pdf

The reported luminous flux is the flux emitted by the light source with a tolerance of ± 10% compared to the indicated value. The W tot column indicates the total wattage absorbed by the system without exceeding 10% of the indicated