

## Luthor Big - Professional

The range of Luthor recessed spotlights is expanded with three sizes. This enables to fit the spotlights in all fitting holes of the same line of products. Luthor adjustable recessed LED spotlights offer technologically advanced light and are a very solid product with high quality and high performance to illuminate large commercial spaces.

Housing adjustable Big: in die cast aluminium

Reflector: In coated, oxidised and high yield polished aluminium.

Painting: dust painted, using polyester epoxy paint to withstand UV rays.

Regulations: Manufactured in accordance with standards EN60598 – CEI 34 –21. Degree of protection in accordance with standards EN60529.

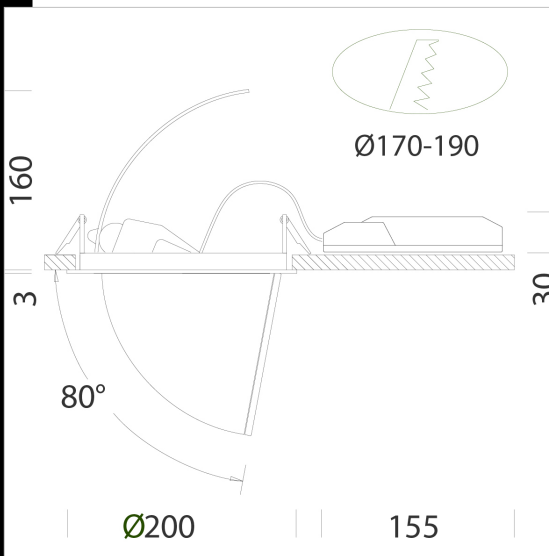
Power factor:  $\geq 0.95$

Photobiological safety class: Exempt group.

Luminous flux maintenance 80%: 50.000h (L80B20).

fitting holes 170mm to 195mm

22088812-00 / 22088872-00 / 22088813-00 / 22088873-00: class I



Code	Gear	Kg	Lumen Output-K-CRI	WTot	Colour
22087815-00	CLD CELL	1.50	LED COB-2539lm-3000K-32°-CRI 93	25 W	BIANCO
22087875-00	CLD CELL	1.50	LED COB-2539lm-3000K-32°-CRI 93	25 W	ARGENTO
22087814-00	CLD CELL	1.50	LED COB-2468lm-3000K-20°-CRI 93	25 W	BIANCO
22087874-00	CLD CELL	1.50	LED COB-2468lm-3000K-20°-CRI 93	25 W	ARGENTO
22087817-00	CLD CELL	1.50	LED COB-2593lm-4000K-32°-CRI 92	25 W	BIANCO
22087877-00	CLD CELL	1.50	LED COB-2593lm-4000K-32°-CRI 92	25 W	ARGENTO
22088810-00	CLD CELL	1.70	LED COB-3852lm-3000K-32°-CRI 92	39 W	BIANCO
22088870-00	CLD CELL	1.70	LED COB-3852lm-3000K-32°-CRI 92	39 W	ARGENTO
22088811-00	CLD CELL	1.70	LED COB-4207lm-4000K-32°-CRI 92	39 W	BIANCO
22088871-00	CLD CELL	1.70	LED COB-4207lm-4000K-32°-CRI 92	39 W	ARGENTO
22088812-00	CLD CELL	1.51	LED COB-4408lm-3000K-32°-CRI 80	45 W	BIANCO
22088872-00	CLD CELL	1.50	LED COB-4408lm-3000K-32°-CRI 80	45 W	ARGENTO
22088810-05	CLD CELL	1.40	LED COB-4100lm-3250K-32°-CRI>90 below BBL	40 W	BIANCO
22088870-05	CLD CELL	1.40	LED COB-4100lm-3250K-32°-CRI>90 below BBL	40 W	ARGENTO
22088813-00	CLD CELL	1.53	LED COB-5169lm-4000K-32°-CRI 92	54 W	BIANCO
22088873-00	CLD CELL	1.54	LED COB-5169lm-4000K-32°-CRI 92	54 W	ARGENTO



### Download

DXF 2D  
- luth3.dxf

Montaggi  
- luthor2017.pdf

The reported luminous flux is the flux emitted by the light source with a tolerance of  $\pm 10\%$  compared to the indicated value. The W tot column indicates the total wattage absorbed by the system without exceeding 10% of the indicated