



Lotus 7

Housing: in die cast aluminium
 Reflector: Aluminum polished prismatic and high performance
 Lampholder: Ceramic with silver-plated contacts.
 Coating: powder coating based on UV-stabilized acrylic resin chromate after treatment.
 Electric gear: 230V/50Hz power supply 50/60Hz
 Equipment: With a separate cable box
 Supplied with flush springs from 1mm up to 20mm
 Regulations: Manufactured in accordance with EN 60598-1-CEI 34.21 standards. Degree of protection in accordance with EN60529 standards
 With lamp. Opportunity to shape the body of the spot from -23 ° to 23
 CDM Elite Lamps: suitable for shopping centres, ideal for enhancing the goods displayed.

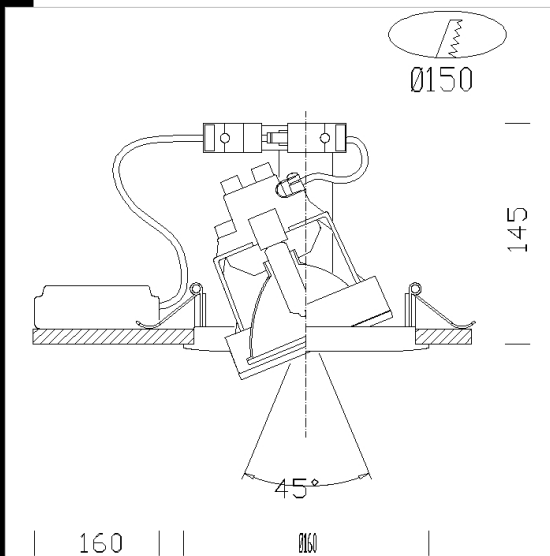
- Maintenance cost reduction
- 10% increase in energy efficiency in contrast with traditional lamps
- Excellent colour rendering (Ra 90)
- Improved light levels (twice as powerful)

CDM-TC Elite 50W: 25% longer lifespan, 30% energy saving and lower power consumption compared to Elite 70W

Download

DXF 2D
 - 88771.dxf

Montaggi
 - corner160-lotus.pdf



Code	Gear	Kg	Lumen-K-CRI	WTot	Base	Colour
22088772-00	CELL	0.85	CDM-TC 70 elite-7700lm-3000K-Ra 90	80 W	G8.5	ARGENTO
22088710-00	CELL	1.05	CDM-TC 50 elite-5400lm-3000K-Ra 90	58 W	G8.5	BIANCO
22088712-00	CELL	0.85	CDM-TC 70 elite-7700lm-3000K-Ra 90	80 W	G8.5	BIANCO
22088770-00	CELL	0.95	CDM-TC 50 elite-5400lm-3000K-Ra 90	58 W	G8.5	ARGENTO

The reported luminous flux is the flux emitted by the light source with a tolerance of $\pm 10\%$ compared to the indicated value. The W tot column indicates the total wattage absorbed by the system without exceeding 10% of the indicated