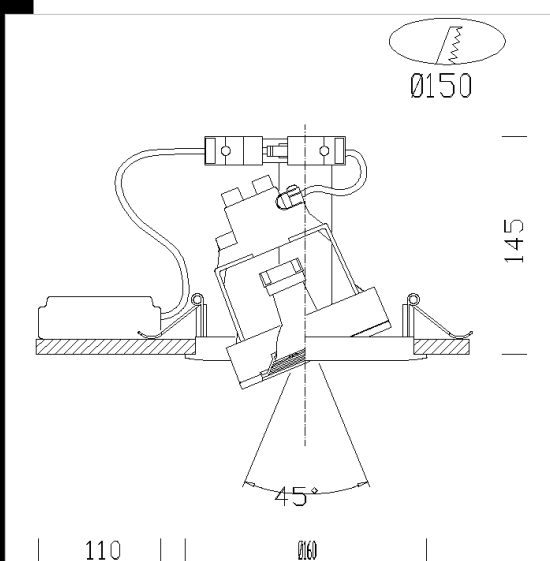


Lotus 5

Housing: in die cast aluminium
 Reflector: Aluminum polished prismatic and high performance
 Lampholder: Ceramic with silver-plated contacts.
 Coating: powder coating based on UV-stabilized acrylic resin chromate after treatment.
 Electric gear: 230V/50Hz power supply 50/60Hz or electronic transformer 220-240V/12V-50Hz.
 Equipment: With a separate cable box
 Supplied with flush springs from 1mm up to 20mm
 Regulations: Manufactured in accordance with EN 60598-1-CEI 34.21 standards. Degree of protection in accordance with EN60529 standards
 With lamp. Opportunity to shape the body of the spot from -23 ° to 23



Code	Gear	Kg	Lumen-K-CRI	WTot	Base	Colour
22088571-00	CELL	1.00	CDM-R mini 50 elite-7000cd-3000K-40°-Ra 90	58 W	Gx10	ARGENTO

23° -23° CELL

UV STOP U.V.

IK07

IP40

Download

DXF 2D
 - 88573.dxf

Montaggi
 - corner160-lotus.pdf

The reported luminous flux is the flux emitted by the light source with a tolerance of ± 10% compared to the indicated value. The W tot column indicates the total wattage absorbed by the system without exceeding 10% of the indicated