

## Luthor Medium - Professional

The range of Luthor recessed spotlights is expanded with three sizes. This enables to fit the spotlights in all fitting holes of the same line of products.

Luthor adjustable recessed LED spotlights offer technologically advanced light

and are a very solid product with high quality and high performance to

illuminate large commercial spaces.

Housing adjustable medium: in die cast aluminium

Reflector: high-efficiency metallised polycarbonate.

Painting: dust painted, using polyester epoxy paint to withstand UV rays.

Regulations: Manufactured in accordance with standards EN60598 - CEI 34

-21. Degree of protection in accordance with standards EN60529.

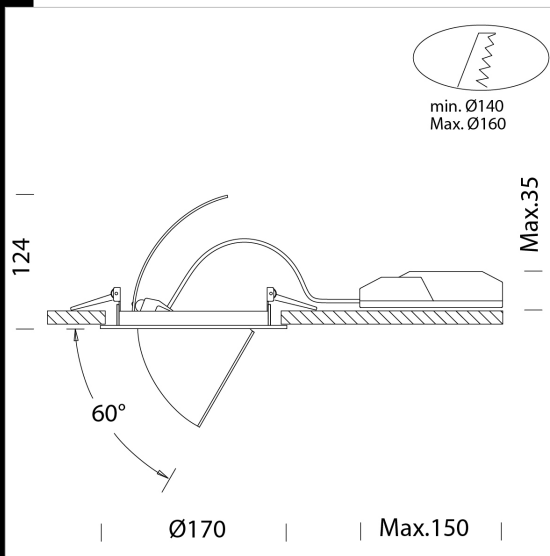
LED: High-efficiency light sources (CRI 93).

Power factor: >= 0.95

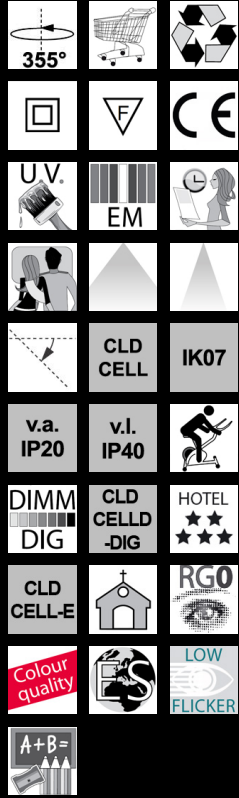
Photobiological safety class: Exempt group.

Luminous flux maintenance 80%: 50.000h (L80B20).

recessed Ø 140/160mm



Code	Gear	Kg	Lumen Output-K-CRI	WTot	Colour
22087819-00	CLD CELL	0,96	LED COB-2499lm-3000K-18°-CRI 93	28 W	BIANCO
22087879-00	CLD CELL	0,99	LED COB-2499lm-3000K-18°-CRI 93	28 W	ARGENTO
22087839-00	CLD CELL	0,90	LED COB-2499lm-3000K-18°-CRI 93	27 W	NERO
22087819-09	CLD CELL-E	1,60	LED COB-2499lm-3000K-18°-CRI 93	28 W	BIANCO
22087879-09	CLD CELL-E	1,60	LED COB-2499lm-3000K-18°-CRI 93	28 W	ARGENTO
22087819-31	CLD CELL-E	1,60	LED COB-2499lm-3000K-18°-CRI 93	28 W	BIANCO
22087879-31	CLD CELL-E	1,60	LED COB-2499lm-3000K-18°-CRI 93	28 W	ARGENTO
22087819-1241	CLD CELL-D-D	1,00	LED COB-2499lm-3000K-18°-CRI 93	28 W	BIANCO
22087879-1241	CLD CELL-D-D	1,00	LED COB-2573lm-3000K-18°-CRI 93	28 W	ARGENTO
22087819-68	CLD CELL	0,96	LED COB-2754lm-4000K-18°-CRI 93	28 W	BIANCO
22087879-68	CLD CELL	0,87	LED COB-2754lm-4000K-18°-CRI 93	28 W	ARGENTO
22087819-6809	CLD CELL-E	1,60	LED COB-2754lm-4000K-18°-CRI 93	27 W	BIANCO
22087879-6809	CLD CELL-E	1,60	LED COB-2754lm-4000K-18°-CRI 93	27 W	ARGENTO
22087819-6841	CLD CELL-D-D	1,02	LED COB-2754lm-4000K-18°-CRI 93	27 W	BIANCO
22087879-6841	CLD CELL-D-D	1,00	LED COB-2754lm-4000K-18°-CRI 93	27 W	ARGENTO
22088910-00	CLD CELL	0,98	LED COB-2440lm-3000K-35°-CRI 93	26 W	BIANCO
22088970-00	CLD CELL	0,93	LED COB-2440lm-3000K-35°-CRI 93	26 W	ARGENTO
22088910-09	CLD CELL-E	1,60	LED COB-2487lm-3000K-35°-CRI 93	26 W	BIANCO
22088970-09	CLD CELL-E	1,60	LED COB-2487lm-3000K-35°-CRI 93	26 W	ARGENTO
22088910-31	CLD CELL-E	1,60	LED COB-2487lm-3000K-35°-CRI 93	26 W	BIANCO
22088970-31	CLD CELL-E	1,60	LED COB-2487lm-3000K-35°-CRI 93	26 W	ARGENTO
22088910-1241	CLD CELL-D-D	0,95	LED COB-2487lm-3000K-35°-CRI 93	27 W	BIANCO
22088970-1241	CLD CELL-D-D	0,90	LED COB-2487lm-3000K-35°-CRI 93	26 W	ARGENTO
22088910-68	CLD CELL	0,97	LED COB-2610lm-4000K-35°-CRI 93	26 W	BIANCO
22088970-68	CLD CELL	0,89	LED COB-2610lm-4000K-35°-CRI 93	26 W	ARGENTO
22088910-6809	CLD CELL-E	1,60	LED COB-2610lm-4000K-35°-CRI 93	26 W	BIANCO
22088970-6809	CLD CELL-E	1,60	LED COB-2610lm-4000K-35°-CRI 93	26 W	ARGENTO
22088910-3113	CLD CELL-E	1,60	LED COB-2610lm-4000K-35°-CRI 93	26 W	BIANCO
22088970-3113	CLD CELL-E	1,60	LED COB-2610lm-4000K-35°-CRI 93	26 W	ARGENTO
22088910-6841	CLD CELL-D-D	1,07	LED COB-2610lm-4000K-35°-CRI 93	26 W	BIANCO
22088970-6841	CLD CELL-D-D	1,00	LED COB-2610lm-4000K-35°-CRI 93	26 W	ARGENTO
22087839-29	CLD CELL	0,90	LED COB-2440lm-3000K-35°-CRI 93	27 W	NERO



### Download

DXF 2D

- luh2.dxf

Montaggi

- Luthor rev6.pdf

The reported luminous flux is the flux emitted by the light source with a tolerance of ± 10% compared to the indicated value. The W tot column indicates the total wattage absorbed by the system without exceeding 10% of the indicated

## Luthor Medium - Professional

Code	Gear	Kg	Lumen Output-K-CRI	WTot	Colour
22088911-00	CLD CELL	0,97	LED COB-2440lm-3000K-35°-CRI 93	26 W	BIANCO
22087839-09	CLD CELL-E	1,00	LED COB-2573lm-3000K-18°-CRI 93	0 W	NERO
22087839-1241	CLD CELL-D-D	1,00		0 W	NERO
22087839-68	CLD CELL	1,00	LED COB-2754lm-4000K-18°-CRI 93	0 W	NERO
22087839-6809	CLD CELL-E	1,00	LED COB-2754lm-4000K-18°-CRI 93	0 W	NERO
22087839-6841	CLD CELL-D-D	1,00	LED COB-2754lm-4000K-18°-CRI 93	0 W	NERO
22088930-00	CLD CELL	1,00	LED COB-2440lm-3000K-35°-CRI 93	0 W	NERO
22088930-09	CLD CELL-E	1,00	LED COB-2440lm-3000K-35°-CRI 93	0 W	NERO
22088930-1241	CLD CELL-D-D	1,00	LED COB-2440lm-3000K-35°-CRI 93	0 W	NERO
2288930-68	CLD CELL	1,00	LED COB-2610lm-4000K-35°-CRI 93	0 W	NERO
22088930-6809	CLD CELL-E	1,00	LED COB-2610lm-4000K-35°-CRI 93	0 W	NERO
22088930-6841	CLD CELL-D-D	1,00	LED COB-2610lm-4000K-35°-CRI 93	0 W	NERO

The reported luminous flux is the flux emitted by the light source with a tolerance of  $\pm 10\%$  compared to the indicated value. The W tot column indicates the total wattage absorbed by the system without exceeding 10% of the indicated