

Luthor Medium - Professional

The range of Luthor recessed spotlights is expanded with three sizes. This enables to fit the spotlights in all fitting holes of the same line of products. Luthor adjustable recessed LED spotlights offer technologically advanced light and are a very solid product with high quality and high performance to illuminate large commercial spaces.

Housing adjustable medium: in die cast aluminium

Reflector: high-efficiency metallised polycarbonate.

Painting: dust painted, using polyester epoxy paint to withstand UV rays.

Regulations: Manufactured in accordance with standards EN60598 – CEI 34 –21. Degree of protection in accordance with standards EN60529.

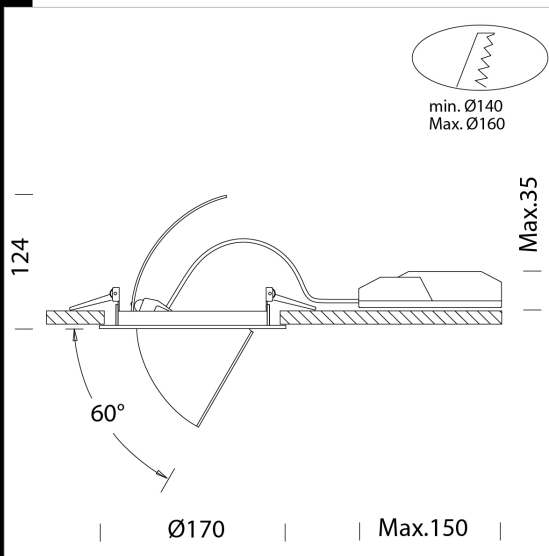
LED: High-efficiency light sources (CRI 93).

Power factor: ≥ 0.95

Photobiological safety class: Exempt group.

Luminous flux maintenance 80%: 50.000h (L80B20).

recessed $\varnothing 140/160$ mm

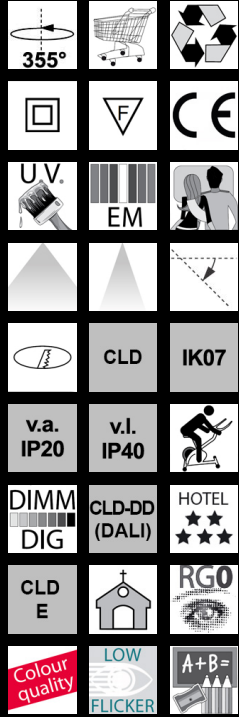


Code	Gear	Kg	Lumen Output-K-CRI	WTot	Colour
22087819-00	CLD	0,97	LED COB-2640lm-3000K-19°-CRI 92	28 W	WHITE
22087839-00	CLD	0,90	LED COB-2640lm-3000K-19°-CRI 92	27 W	BLACK
22087819-68	CLD	0,96	LED COB-2779lm-4000K-19°-CRI 92	28 W	WHITE
22087839-68	CLD	0,90	LED COB-2779lm-4000K-19°-CRI 92	28 W	BLACK
22088910-00	CLD	0,99	LED COB-2682lm-3000K-34°-CRI 92	26 W	WHITE
22088930-00	CLD	0,98	LED COB-2682lm-3000K-34°-CRI 92	26 W	BLACK
22088910-68	CLD	0,97	LED COB-2823lm-4000K-34°-CRI 92	26 W	WHITE
22088930-68	CLD	1,06	LED COB-2750lm-4000K-34°-CRI 92	26 W	BLACK
22087819-1241	CLD-D-D	1,02	LED COB-2640lm-3000K-19°-CRI 92	27 W	WHITE
22087839-1241	CLD-D-D	1,02	LED COB-2640lm-3000K-19°-CRI 92	27 W	BLACK
22087819-6841	CLD-D-D	1,02	LED COB-2779lm-4000K-19°-CRI 92	27 W	WHITE
22087839-6841	CLD-D-D	1,02	LED COB-2779lm-4000K-19°-CRI 92	27 W	BLACK
22088910-1241	CLD-D-D	0,95	LED COB-2682lm-3000K-34°-CRI 92	27 W	WHITE
22088930-1241	CLD-D-D	0,95	LED COB-2682lm-3000K-34°-CRI 92	27 W	BLACK
22088910-6841	CLD-D-D	1,07	LED COB-2823lm-4000K-34°-CRI 92	26 W	WHITE
22088930-6841	CLD-D-D	1,07	LED COB-2823lm-4000K-34°-CRI 92	26 W	BLACK

Accessori



- EM Kit Q



Download

DXF 2D

- luh2.dxf

Montaggi

- LUTHOR rev8.pdf

BIM

- Luthor Medium - Professional - 20201005.zip

The reported luminous flux is the flux emitted by the light source with a tolerance of $\pm 10\%$ compared to the indicated value. The W tot column indicates the total wattage absorbed by the system without exceeding 10% of the indicated