

Luthor Small - Professional

The range of Luthor recessed spotlights is expanded with three sizes. This enables to fit the spotlights in all fitting holes of the same line of products.

Luthor adjustable recessed LED spotlights offer technologically advanced light and are a very solid product with high quality and high performance to illuminate large commercial spaces.

Housing adjustable small: in die cast aluminium

Reflector: high-efficiency metallised polycarbonate.

Painting: dust painted, using polyester epoxy paint to withstand UV rays.

Regulations: Manufactured in accordance with standards EN60598 – CEI 34 –21. Degree of protection in accordance with standards EN60529.

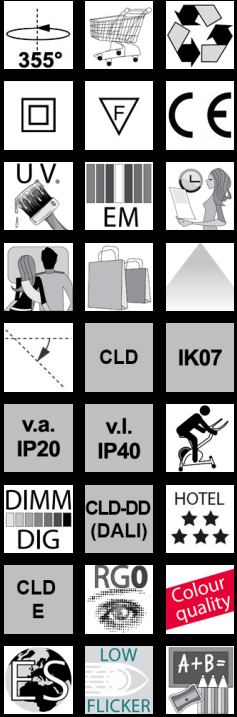
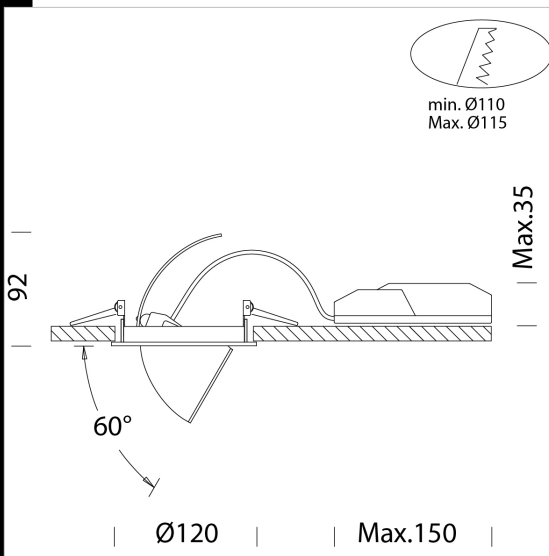
LED: High-efficiency light sources (CRI 92).

Power factor: ≥ 0.95

Photobiological safety class: Exempt group.

Luminous flux maintenance 80%: 50.000h (L80B20).

recessed $\varnothing 110/115\text{mm}$



Download

DXF 2D
- luh1.dxf

Montaggi
- Luthor_rev6.pdf

BIM
- Luthor Small - Professional - 20201005.zip

Code	Gear	Kg	Lumen Output-K-CRI	WTot	Colour
22087818-00	CLD CELL	0.70	LED COB-1300lm-3000K-58°-CRI 93	13 W	WHITE
22087878-00	CLD CELL	0.70	LED COB-1300lm-3000K-58°-CRI 93	13 W	SILVER
22087818-0013	CLD CELL	0.70	LED COB-1391lm-4000K-58°-CRI 93	16 W	WHITE
22087878-0013	CLD CELL	0.70	LED COB-1391lm-4000K-58°-CRI 93	16 W	SILVER
22087818-1241	CLD CELL-D-D	0.70	LED COB-1300lm-3000K-58°-CRI 93	13 W	WHITE
22087878-1241	CLD CELL-D-D	0.67	LED COB-1300lm-3000K-58°-CRI 93	13 W	SILVER
22087878-6841	CLD CELL-D-D	0.67	LED COB-1391lm-4000K-58°-CRI 93	16 W	SILVER
22087818-6841	CLD CELL-D-D	0.65	LED COB-1391lm-4000K-58°-CRI 93	14 W	WHITE
22087818-09	CLD CELL-E	0.70	LED COB-1300lm-3000K-58°-CRI 93	13 W	WHITE
22087878-09	CLD CELL-E	0.70	LED COB-1300lm-3000K-58°-CRI 93	13 W	SILVER
22087818-6809	CLD CELL-E	0.70	LED COB-1391lm-4000K-58°-CRI 93	13 W	SILVER
22087878-6809	CLD CELL-E	0.70	LED COB-1391lm-4000K-58°-CRI 93	13 W	SILVER
22087818-31	CLD CELL-E	0.00	LED COB-1300lm-3000K-58°-CRI 93	13 W	WHITE
22087878-31	CLD CELL-E	0.00	LED COB-1300lm-3000K-58°-CRI 93	13 W	SILVER
22087818-3113	CLD CELL-E	0.00	LED COB-1391lm-4000K-58°-CRI 93	13 W	WHITE
22087878-3113	CLD CELL-E	0.00	LED COB-1391lm-4000K-58°-CRI 93	13 W	SILVER
22087838-00	CLD CELL	0.70	LED COB-1300lm-3000K-58°-CRI 93	13 W	BLACK
22087838-68	CLD CELL	0.70	LED COB-1391lm-4000K-58°-CRI 93	13 W	BLACK
22087838-09	CLD CELL-E	0.70	LED COB-1300lm-3000K-58°-CRI 93	13 W	BLACK
22087838-6809	CLD CELL-E	0.70	LED COB-1391lm-4000K-58°-CRI 93	13 W	BLACK
22087838-1241	CLD CELL-D-D	0.67	LED COB-1300lm-3000K-58°-CRI 93	13 W	BLACK
22087838-6841	CLD CELL-D-D	0.67	LED COB-1391lm-4000K-58°-CRI 93	16 W	BLACK

The reported luminous flux is the flux emitted by the light source with a tolerance of $\pm 10\%$ compared to the indicated value. The W tot column indicates the total wattage absorbed by the system without exceeding 10% of the indicated