

Luthor Small - Professional

The range of Luthor recessed spotlights is expanded with three sizes. This enables to fit the spotlights in all fitting holes of the same line of products. Luthor adjustable recessed LED spotlights offer technologically advanced light and are a very solid product with high quality and high performance to illuminate large commercial spaces.

Housing adjustable small: in die cast aluminium

Reflector: high-efficiency metallised polycarbonate.

Painting: dust painted, using polyester epoxy paint to withstand UV rays.

Regulations: Manufactured in accordance with standards EN60598 – CEI 34 –21. Degree of protection in accordance with standards EN60529.

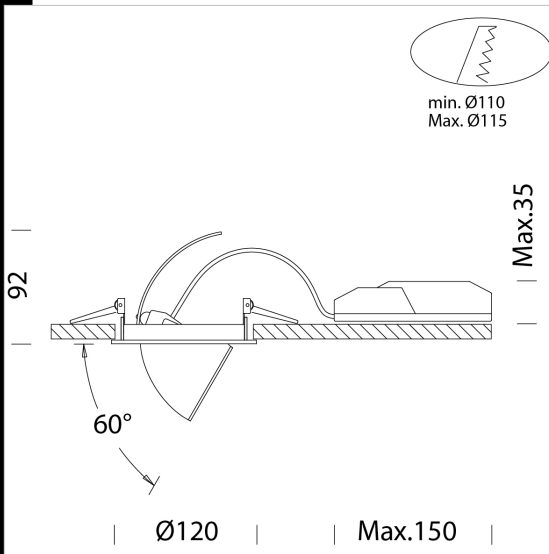
LED: High-efficiency light sources (CRI 92).

Power factor: ≥ 0.95

Photobiological safety class: Exempt group.

Luminous flux maintenance 80%: 50.000h (L80B20).

recessed \varnothing 110/115mm

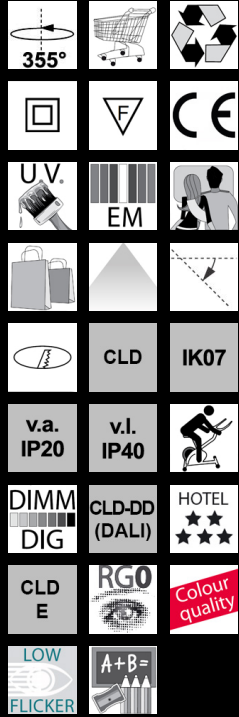


| Code | Gear | Kg | Lumen Output-K-CRI | WTot | Colour |
|---------------|---------|------|---------------------------------|------|--------|
| 22087818-00 | CLD | 0,70 | LED COB-1321lm-3000K-52°-CRI 92 | 13 W | WHITE |
| 22087838-00 | CLD | 0,52 | LED COB-1321lm-3000K-52°-CRI 92 | 13 W | BLACK |
| 22087818-68 | CLD | 0,48 | LED COB-1391lm-4000K-52°-CRI 92 | 13 W | WHITE |
| 22087838-68 | CLD | 0,50 | LED COB-1391lm-4000K-52°-CRI 92 | 13 W | BLACK |
| 22087818-1241 | CLD-D-D | 0,70 | LED COB-1321lm-3000K-52°-CRI 92 | 13 W | WHITE |
| 22087838-1241 | CLD-D-D | 0,67 | LED COB-1321lm-3000K-52°-CRI 92 | 13 W | BLACK |
| 22087818-6841 | CLD-D-D | 0,65 | LED COB-1391lm-4000K-52°-CRI 92 | 14 W | WHITE |
| 22087838-6841 | CLD-D-D | 0,60 | LED COB-1391lm-4000K-52°-CRI 92 | 16 W | BLACK |

Accessori



- EM Kit Q



Download

DXF 2D
- luh1.dxf

Montaggi
- LUTHOR rev8.pdf

BIM
- Luthor Small - Professional - 20201005.zip

The reported luminous flux is the flux emitted by the light source with a tolerance of $\pm 10\%$ compared to the indicated value. The W tot column indicates the total wattage absorbed by the system without exceeding 10% of the indicated