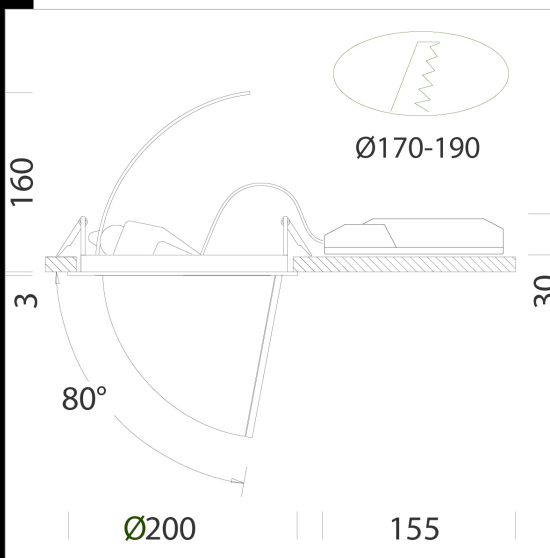


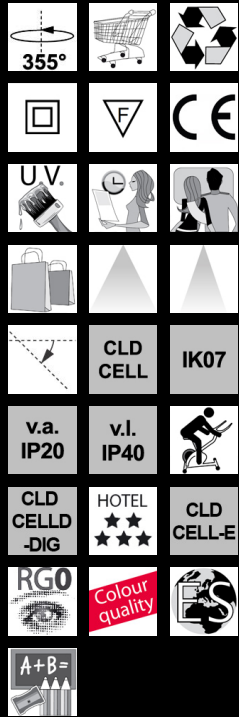
Luthor Big - Professional

The range of Luthor recessed spotlights is expanded with three sizes. This enables to fit the spotlights in all fitting holes of the same line of products. Luthor adjustable recessed LED spotlights offer technologically advanced light and are a very solid product with high quality and high performance to illuminate large commercial spaces.

Housing adjustable Big: in die cast aluminium
 Reflector: In coated, oxidised and high yield polished aluminium.
 Painting: dust painted, using polyester epoxy paint to withstand UV rays.
 Regulations: Manufactured in accordance with standards EN60598 – CEI 34 –21. Degree of protection in accordance with standards EN60529.
 Power factor: >= 0.95
 Photobiological safety class: Exempt group.
 Luminous flux maintenance 80%: 50.000h (L80B20).
 fitting holes 170mm to 190mm
 22088812-xx / 22088813-xx: class I



Code	Gear	Kg	Lumen Output-K-CRI	WTot	Colour
22087814-00	CLD CELL	1,50	LED COB-2468lm-3000K-20°-CRI>93	27 W	WHITE
22087815-00	CLD CELL	1,50	LED COB-2539lm-3000K-32°-CRI>93	27 W	WHITE
22087817-00	CLD CELL	1,50	LED COB-2593lm-4000K-32°-CRI>93	27 W	WHITE
22088810-00	CLD CELL	1,70	LED COB-3852lm-3000K-32°-CRI>93	39 W	WHITE
22088811-00	CLD CELL	1,70	LED COB-4207lm-4000K-32°-CRI>93	39 W	WHITE
22088812-00	CLD CELL	1,51	LED COB-4408lm-3000K-32°-CRI>93	45 W	WHITE
22088813-00	CLD CELL	1,53	LED COB-5169lm-4000K-32°-CRI>93	54 W	WHITE
22087814-1241	CLD CELL-D-D	1,55	LED COB-2468lm-3000K-20°-CRI 93	27 W	WHITE
22087815-1241	CLD CELL-D-D	1,47	LED COB-2539lm-3000K-32°-CRI>93	27 W	WHITE
22087817-1241	CLD CELL-D-D	1,60	LED COB-2593lm-4000K-32°-CRI>93	27 W	WHITE
22088810-1241	CLD CELL-D-D	1,53	LED COB-3852lm-3000K-32°-CRI>93	40 W	WHITE
22088811-1241	CLD CELL-D-D	1,50	LED COB-4207lm-4000K-32°-CRI>93	39 W	WHITE
22088812-1241	CLD CELL-D-D	1,53	LED COB-4408lm-3000K-32°-CRI 92	45 W	WHITE
22088813-1241	CLD CELL-D-D	1,55	LED COB-5169lm-4000K-32°-CRI 92	54 W	WHITE
22087814-09	CLD CELL-E	1,80	LED COB-2468lm-3000K-20°-CRI>93	27 W	WHITE
22087815-09	CLD CELL-E	1,95	LED COB-2539lm-3000K-32°-CRI>93	27 W	WHITE
22087817-09	CLD CELL-E	1,94	LED COB-2593lm-4000K-32°-CRI>93	27 W	WHITE
22088810-09	CLD CELL-E	1,86	LED COB-3852lm-3000K-32°-CRI>93	39 W	WHITE
22088811-09	CLD CELL-E	1,94	LED COB-4207lm-4000K-32°-CRI>93	39 W	WHITE
22088812-09	CLD CELL-E	1,90	LED COB-4408lm-3000K-32°-CRI>93	45 W	WHITE
22088813-09	CLD CELL-E	1,90	LED COB-5169lm-4000K-32°-CRI>93	54 W	WHITE
22087814-31	CLD CELL-E	1,90	LED COB-2468lm-3000K-20°-CRI 93	27 W	WHITE
22087874-31	CLD CELL-E	1,90	LED COB-2468lm-3000K-20°-CRI 93	27 W	SILVER
22087814-3113	CLD CELL-E	1,90	LED COB-2641lm-4000K-20°-CRI 93	27 W	WHITE
22087874-3113	CLD CELL-E	1,90	LED COB-2641lm-4000K-20°-CRI 93	27 W	SILVER
22087815-31	CLD CELL-E	1,90	LED COB-2539lm-3000K-32°-CRI 93	27 W	WHITE
22087875-31	CLD CELL-E	1,90	LED COB-2539lm-3000K-32°-CRI 93	27 W	SILVER
22087817-31	CLD CELL-E	1,90	LED COB-2593lm-4000K-32°-CRI 92	27 W	WHITE
22087877-31	CLD CELL-E	1,90	LED COB-2593lm-4000K-32°-CRI 92	27 W	SILVER
22088810-31	CLD CELL-E	1,90	LED COB-3852lm-3000K-32°-CRI 92	39 W	WHITE
22088870-31	CLD CELL-E	1,90	LED COB-3852lm-3000K-32°-CRI 92	39 W	SILVER
22088811-31	CLD CELL-E	1,90	LED COB-4207lm-4000K-32°-CRI 92	39 W	WHITE



Download
 DXF 2D
 - luth3.dxf
 Montaggi
 - Luthor_rev6.pdf
 BIM
 - Luthor Big - Professional -
 20201005.zip

The reported luminous flux is the flux emitted by the light source with a tolerance of ± 10% compared to the indicated value. The W tot column indicates the total wattage absorbed by the system without exceeding 10% of the indicated

Luthor Big - Professional

Code	Gear	Kg	Lumen Output-K-CRI	WTot	Colour
22088871-31	CLD CELL-E	1,90	LED COB-4207lm-4000K-32°-CRI 92	39 W	SILVER
22088812-31	CLD CELL-E	1,90	LED COB-4408lm-3000K-32°-CRI 92	45 W	WHITE
22088872-31	CLD CELL-E	1,90	LED COB-4408lm-3000K-32°-CRI 92	45 W	SILVER
22088813-31	CLD CELL-E	1,90	LED COB-5169lm-4000K-32°-CRI 92	54 W	WHITE
22088873-31	CLD CELL-E	1,90	LED COB-5169lm-4000K-32°-CRI 92	54 W	SILVER

The reported luminous flux is the flux emitted by the light source with a tolerance of $\pm 10\%$ compared to the indicated value. The W tot column indicates the total wattage absorbed by the system without exceeding 10% of the indicated