

Luthor Small - Professional DIP SWITCH



The range of Luthor recessed spotlights is expanded with three sizes. This enables to fit the spotlights in all fitting holes of the same line of products. Luthor adjustable recessed LED spotlights offer technologically advanced light and are a very solid product with high quality and high performance to illuminate large commercial spaces.

Housing adjustable small: in die cast aluminium

Reflector: high-efficiency metallised polycarbonate.

Painting: dust painted, using polyester epoxy paint to withstand UV rays.

Regulations: Manufactured in accordance with standards EN60598 – CEI 34 –21. Degree of protection in accordance with standards EN60529.

LED: High-efficiency light sources (CRI 93).

Power factor: ≥ 0.95

Photobiological safety class: Exempt group.

Luminous flux maintenance 80%: 50.000h (L80B20).

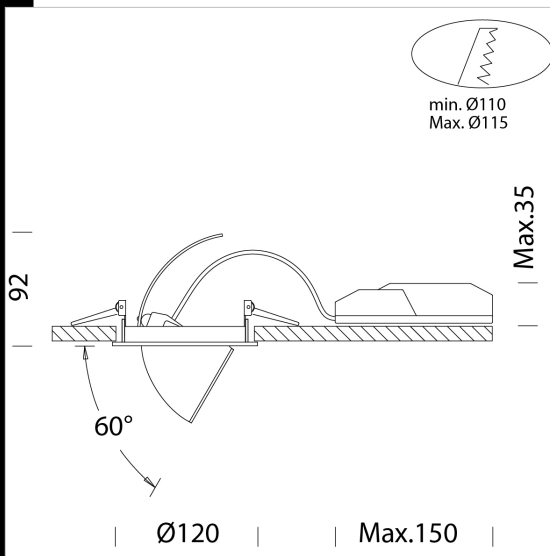
recessed \varnothing 110/115mm

On request: version with 23° beam.

DIP switch setting: the fixture comes with a dip switch driver for the setting of the output current. In this way you, can ensure the best luminous flux for any lighting design. The possibility to choose the correct drive current for LEDs will allow you to have the right power under specific design conditions. Using a lower current will improve the efficiency of fixtures and therefore increase energy savings, whilst a higher current will result in a higher light flux so that you can reduce the number of fixtures.

22087809-00 DIP SWITCH I out W tot K - \varnothing lm - CRI 350 13 4000K - 1468lm - CRI>93 - 52° 400 15 4000K - 1660lm - CRI>93 - 52° 500 19 4000K - 2046lm - CRI>93 - 52° 600 22 4000K - 2403lm - CRI>93 - 52° 725 27 4000K - 2852lm - CRI>93 - 52°

22087809-39 DIP SWITCH I out W tot K - \varnothing lm - CRI 350 13 3000K - 1395lm - CRI>93 - 52° 400 15 3000K - 1577lm - CRI>93 - 52° 500 19 3000K - 1943lm - CRI>93 - 52° 600 22 3000K - 2283lm - CRI>93 - 52° 725 27 3000K - 2709lm - CRI>93 - 56°



Code	Gear	Kg	Lumen Output-K-CRI	WTot	Colour
22087808-00	CLD	0,50	LED COB-1391lm-4000K-52°-350mA-CRI 93	13 W	WHITE
22087808-39	CLD	0,70	LED COB-1321lm-3000K-52°-350mA-CRI 93	13 W	WHITE

Accessori



- EM Kit Q



Download

DXF 2D

- luh1.dxf

Montaggi

- LUTHOR rev8.pdf

The reported luminous flux is the flux emitted by the light source with a tolerance of $\pm 10\%$ compared to the indicated value. The W tot column indicates the total wattage absorbed by the system without exceeding 10% of the indicated