

Corner

This line of recessed adjustable-angle floodlights is designed to address the growing need for lighting solutions in shopping centres and shop windows, where the luminous flux has to be directed according to the products displayed.

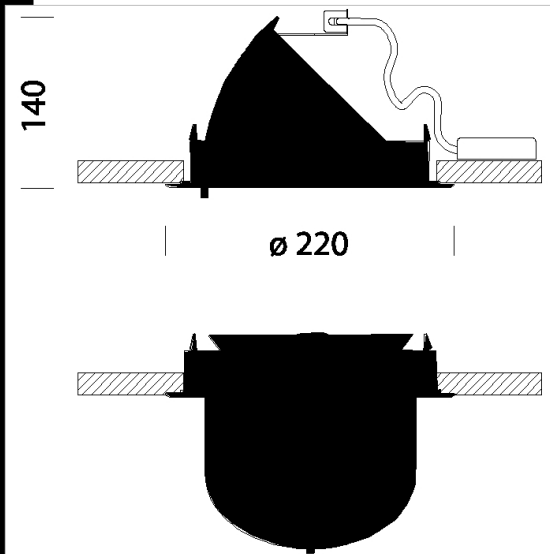
Lens: faceted, with high efficiency output and very low glare rate. Regulations: Manufactured in accordance with standards EN60598 - CEI 34 -21. Degree of protection in accordance with standards EN60529.

Power factor: 0.95

Photobiological safety class: Exempt group.

Luminous flux maintenance 70%: 50.000h (L70B50).

fitting holes 205mm to 215mm



Download

DXF 2D
- 87718.dxf

Montaggi
- cornerled.pdf

Code	Gear	Kg	Lumen Output-K-CRI	WTot	Colour
22087715-00	CLD CELL-D	0.65	LED 111-3300lm-3000K-24°-CRI 83	35 W	BIANCO
22087711-00	CLD CELL-D	0.65	LED 111-3600lm-4000K-24°-CRI 83	35 W	BIANCO
22087716-00	CLD CELL-D	0.65	LED 111-3600lm-3000K-40°-CRI 83	35 W	BIANCO
22087712-00	CLD CELL-D	0.65	LED 111-2900lm-4000K-40°-CRI 83	35 W	BIANCO
22087311-00	CLD CELL	0.63	LED COB-1766lm-3000K-38°-CRI 93	19 W	BIANCO
22087312-00	CLD CELL	0.62	LED COB-1890lm-4000K-38°-CRI 93	19 W	BIANCO

The reported luminous flux is the flux emitted by the light source with a tolerance of $\pm 10\%$ compared to the indicated value. The W tot column indicates the total wattage absorbed by the system without exceeding 10% of the indicated