

## Corner "TS"

This line of recessed adjustable-angle floodlights is designed to address the growing need for lighting solutions in shopping centres and shop windows, where the luminous flux has to be directed according to the products displayed.

Housing: High-temperature resistant pressed techno-polymer.

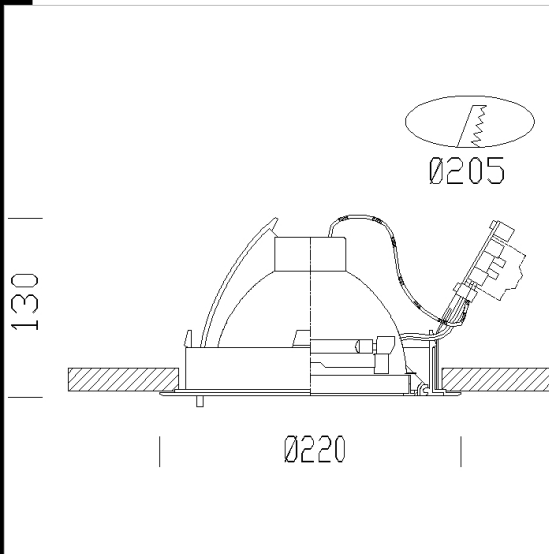
Reflector: High-efficiency oxidised polished aluminium.

Diffuser: Tempered glass protection shield.

Lampholder: Ceramic with silver-plated or phosphor bronze contacts.

Regulations: Manufactured in accordance with standards EN60598 - CEI 34 - 21. Degree of protection in accordance with standards EN60529.

Lamps: Supplied with discharge lamps.



| Code        | Gear | Kg   | Lumen-K-CRI                            | WTot | Base | Colour |
|-------------|------|------|--|------|------|--------|
| 22087415-00 | S+L  | 0.70 | JM-TS 70 excellence-6200lm-3000K-Ra 1b | 75 W | Rx7s | WHITE  |
| 22087415-85 | S+L  | 0.70 | CDM-TS 70-6500lm-3000K-Ra 82           | 71 W | Rx7s | WHITE  |

### Accessories



- Filter for fruit - Corner



- Filter for vegetables - Corner



- Filter for bakery - Corner



- Filter for butcher's shop -



- Filter for fabric - Corner



- Box

The reported luminous flux is the flux emitted by the light source with a tolerance of  $\pm 10\%$  compared to the indicated value. The W tot column indicates the total wattage absorbed by the system without exceeding 10% of the indicated