



### Download

DXF 2D  
- betaled.dxf

Montaggi  
- BETA.pdf



## Beta LED

Housing: Die-cast zamak, with a steel bracket holding the terminal block. Supplied with springs for recessed mounting.

Coating: Power-coated with a UV-resistant polyester epoxy paint.

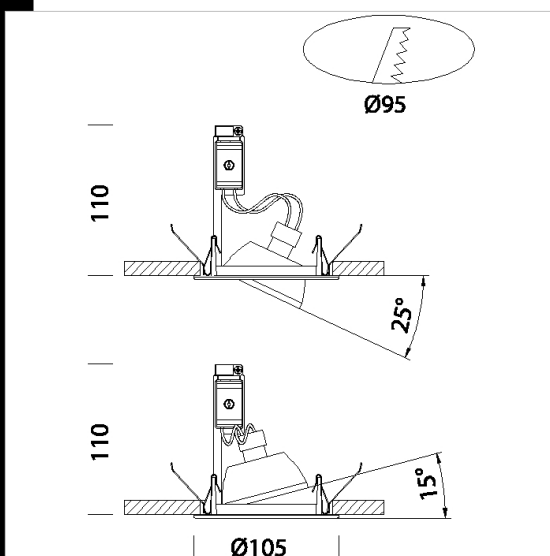
Equipment: With springs for false ceilings (max. 30mm).

Regulations: Manufactured in accordance with EN 60598-1-CEI 34.21 standards. Degree of protection in accordance with EN60529 standards.

Power factor: 0.8

Luminous flux maintenance 70% 25000h (L70B50)

Photobiological safety class: exempt group EN62471.



Code	Gear	Kg	Lumen Output-K-CRI	WTot	Base	Colour
22086616-00	CLD CELL	0.20	LED COB-600lm-3000K-38°-CRI 80	6 W	GU10	WHITE
22086676-00	CLD CELL	0.21	LED COB-600lm-3000K-38°-CRI 80	6 W	GU10	SILVER

The reported luminous flux is the flux emitted by the light source with a tolerance of  $\pm 10\%$  compared to the indicated value. The W tot column indicates the total wattage absorbed by the system without exceeding 10% of the indicated