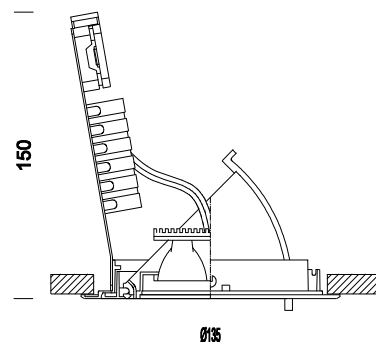


Sylon LED RGB



Code	Gear	Kg	Colour	Dimensions	lamp
22086413-00	CLD S+L	0.50	white	0x0x150 Ø135	POWERLED 3.3W RGB-R=40lm G=90lm B=30lm
22086466-00	CLD S+L	0.50	chrome	0x0x150 Ø135	POWERLED 3.3W RGB-R=40lm G=90lm B=30lm
22086476-00	CLD S+L	0.50	met. silver	0x0x135 Ø150	POWERLED 3.3W RGB-R=40lm G=90lm B=30lm
22086492-00	CLD S+L	0.50	shiny brass	0x0x150 Ø135	POWERLED 3.3W RGB-R=40lm G=90lm B=30lm

This line of vertically as well as horizontally adjustable recessed spotlights features easy lamp replacement; additionally, after removing the movable parts, the transformer can be replaced through the port in the outside clip.

Housing: Die-cast zamak, with a steel bracket holding the terminal block. Includes springs for recessed mounting.

Coating: Powder coated with polyester epoxy paint, UV-resistant. A different galvanic finishing process is used for chromium-plated and polished brass versions.

Regulations: Manufactured in accordance with standards EN60598 - 1 - CEI 34.21. Degree of protection in accordance with standards EN60529.

Complete with POWERLED FULLCOLOR RGB 4W each.

use transformer code 22090870-00 to power up to max 3 Fullcolor. To supply other 3 fullcolor rgb in sync with master use slave code 22090871-00