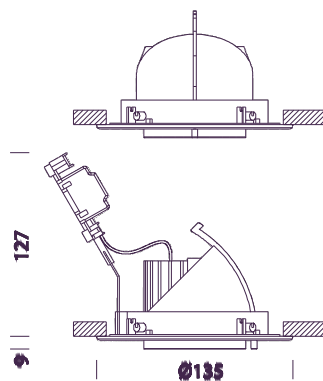


Sylon Fortimo DISK



Code	Gear	Kg	Colour	Dimensions	lamp
22086314-00	CLD CELL	0.80	white	0x0x127 Ø135	LED FORTIMO DISK-820lm-2700K-CRI 90

This line of vertically as well as horizontally adjustable recessed spotlights features easy lamp replacement; additionally, after removing the movable parts, the transformer can be replaced through the port in the outside clip.

Housing: Die-cast zamak, with a steel bracket holding the terminal block. Includes springs for recessed mounting.

Coating: Powder coated with polyester epoxy paint, UV-resistant. A different galvanic finishing process is used for chromium-plated and polished brass versions.

Regulations: Manufactured in accordance with standards EN60598 - 1 - CEI 34.21. Degree of protection in accordance with standards EN60529.

LED 14W - 2700K - 820lm - CRI90 - 25000h - 85°