

Download

DXF 2D
- kingcnl.dxf



King CDM-TC

King is a recessed floodlight designed to provide a solution to the lighting of environments requiring a high degree of protection.

Housing: Adjustable-angle, made of die-cast aluminium.

Reflector: High-performance oxidised and polished aluminium.

Diffuser: Tempered glass protection shield.

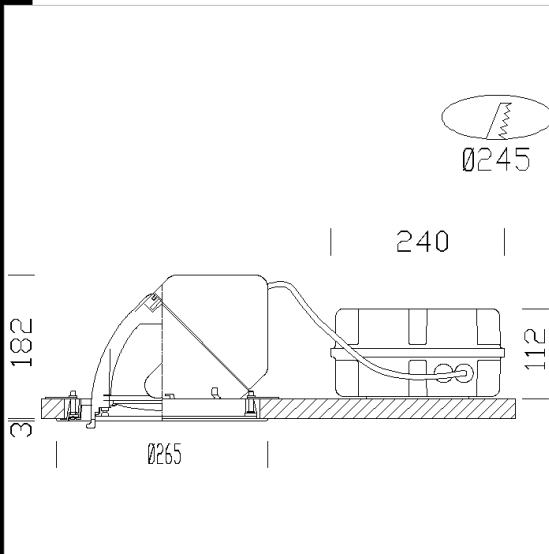
Coating: Humidity-resistant acrylic-resin liquid paint, UV-stabilised.

Lampholder: Ceramic with silver-plated contacts, or polycarbonate with phosphor bronze contacts.

Electric gear: 230V/50Hz power supply. Flexible silicone insulated wire terminated with admiralty brass clamps, with fibreglass braid, cross-section: 1.5 sqmm. 2P+T terminal block (with plug-socket connector).

Standard supply: Includes adjustable steel bracket. Hinge opening of the glass holding ring for easier maintenance.

Regulations: Manufactured in accordance with standards EN60598 – CEI 34 –21. Degree of protection in accordance with standards EN60529.



Code	Gear	Kg	Lumen-K-CRI	WTot	Base	Colour
22085511-00	CELL	4.25	CDM-TC 70 FM-6600lm-3000K-Ra 90	82 W	G8.5	WHITE
22085510-00	CELL	4.25	CDM-TC 70 FS-6600lm-3000K-Ra 90	82 W	G8.5	WHITE
22085512-00	CELL	4.25	CDM-TC 70 FL-6600lm-3000K-Ra 90	82 W	G8.5	WHITE

The reported luminous flux is the flux emitted by the light source with a tolerance of ± 10% compared to the indicated value. The W tot column indicates the total wattage absorbed by the system without exceeding 10% of the indicated