

King CDM-T

King is a recessed floodlight designed to provide a solution to the lighting of environments requiring a high degree of protection.

Housing: Adjustable-angle, made of die-cast aluminium.

Reflector: High-performance oxidised and polished aluminium.

Diffuser: Tempered glass protection shield.

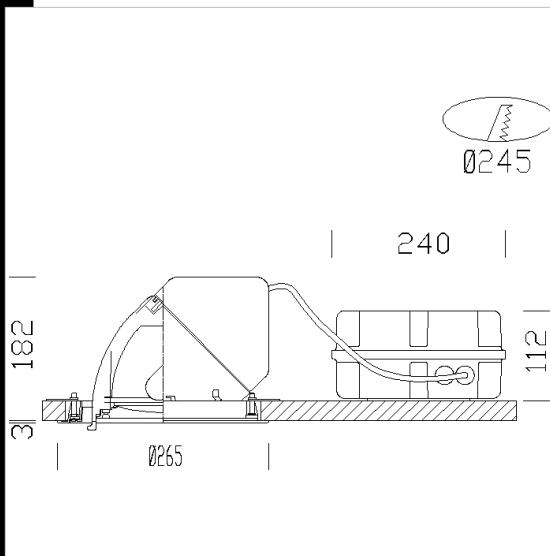
Coating: Humidity-resistant acrylic-resin liquid paint, UV-stabilised.

Lampholder: Ceramic with silver-plated contacts, or polycarbonate with phosphor bronze contacts.

Electric gear: 230V/50Hz power supply. Flexible silicone insulated wire terminated with admiralty brass clamps, with fibreglass braid, cross-section: 1.5 sqmm. 2P+T terminal block (with plug-socket connector).

Standard supply: Includes adjustable steel bracket. Hinge opening of the glass holding ring for easier maintenance.

Regulations: Manufactured in accordance with standards EN60598 – CEI 34 –21. Degree of protection in accordance with standards EN60529.



Code	Gear	Kg	Lumen-K-CRI	WTot	Base	Colour
22085316-00	CELL	4.90	CDM-T 100 elite-11000lm-3000K-Ra 90	110 W	G12	BIANCO
22085336-00	CELL	5.50	CDM-T 100 elite-11000lm-3000K-Ra 90	110 W	G12	NERO
22085376-00	CELL	3.80	CDM-T 100 elite-11000lm-3000K-Ra 90	110 W	G12	ARGENTO
22085315-00	CELL	3.70	CDM-T 50 elite-5500lm-3000K-Ra 90	58 W	G12	BIANCO
22085335-00	CELL	4.25	CDM-T 50 elite-5500lm-3000K-Ra 90	58 W	G12	NERO
22085375-00	CELL	4.25	CDM-T 50 elite-5500lm-3000K-Ra 90	58 W	G12	ARGENTO

Accessories



- Conveyo rmm. 165



- Glass + frame

The reported luminous flux is the flux emitted by the light source with a tolerance of $\pm 10\%$ compared to the indicated value. The W tot column indicates the total wattage absorbed by the system without exceeding 10% of the indicated