

## King CDM-T

King is a recessed floodlight designed to provide a solution to the lighting of environments requiring a high degree of protection.

Housing: Adjustable-angle, made of die-cast aluminium.

Reflector: High-performance oxidised and polished aluminium.

Diffuser: Tempered glass protection shield.

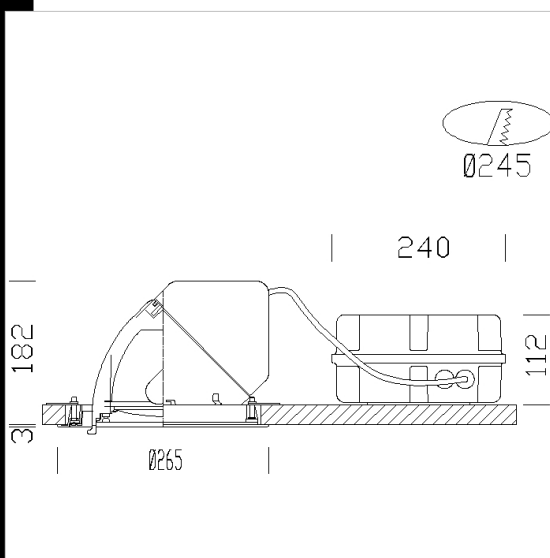
Coating: Humidity-resistant acrylic-resin liquid paint, UV-stabilised.  
Lampholder: Ceramic with silver-plated contacts, or polycarbonate with phosphor bronze contacts.

Electric gear: 230V/50Hz power supply. Flexible silicone insulated wire terminated with admiralty brass clamps, with fibreglass braid, cross-section: 1.5 sqmm. 2P+T terminal block (with plug-socket connector).

Standard supply: Includes adjustable steel bracket. Hinge opening of the glass holding ring for easier maintenance.

Regulations: Manufactured in accordance with standards EN60598 – CEI 34 –21. Degree of protection in accordance with standards EN60529.

Lamps: Discharge lamps included.



Code	Gear	Kg	Watt	Base	Lamps	Colour
22085338-00	CNR-L	5,85	CDM-T 100 elite	G12	11000lm-3000K-Ra 90	BLACK
22085379-00	CNR-L	5,85	CDM-T 100 elite	G12	11000lm-3000K-Ra 90	SILVER
22085313-00	CNR-L	5,20	CDM-T 50 elite	G12	5500lm-3000K-Ra 90	WHITE
22085337-00	CNR-L	5,20	CDM-T 50 elite	G12	5500lm-3000K-Ra 90	BLACK
22085377-00	CNR-L	5,20	CDM-T 50 elite	G12	5500lm-3000K-Ra 90	SILVER
22085314-00	CNR-L	5,85	CDM-T 100 elite	G12	11000lm-3000K-Ra 90	WHITE

### Accessories



- Conveyo rmm. 165



- Glass + frame