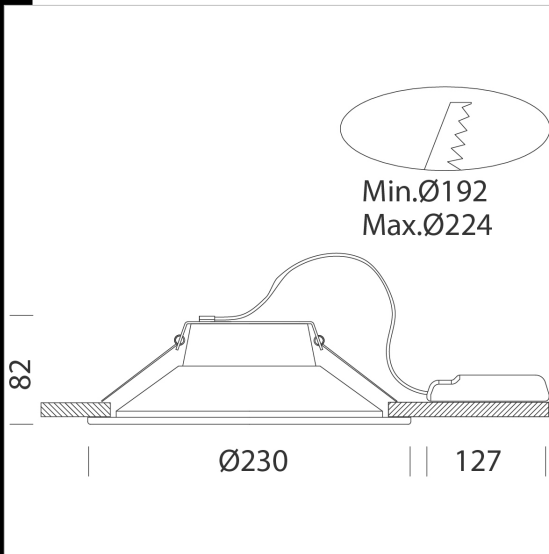


Speaker 2 Mirror

Reflector: made in high gloss aluminium.
 Regulations: Manufactured in accordance with standards EN60598-1, EN60598-2-2.
 Power factor: ≥ 0.95
 Photobiological safety class: Exempt group.
 Luminous flux maintenance 70%: 30.000h (L70B50).

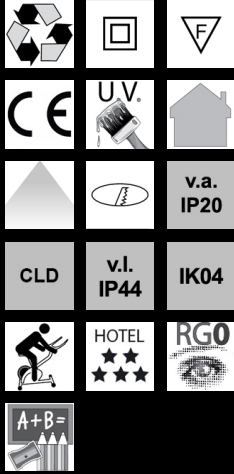


Code	Gear	Kg	Lumen Output-K-CRI	WTot	Colour
22084418-00	CLD	0.36	LED-2205lm-4000K-CRI>80	25 W	WHITE

Accessories



- EM Kit R



Download

DXF 2D
 - spk2.dxf

Montaggi
 - SPEAKER 1-2-3 rev9.pdf

The reported luminous flux is the flux emitted by the light source with a tolerance of $\pm 10\%$ compared to the indicated value. The W tot column indicates the total wattage absorbed by the system without exceeding 10% of the indicated