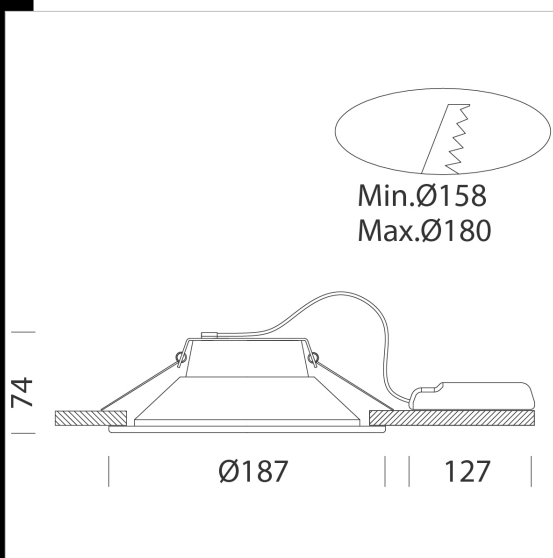




Speaker 1 Mirror

Reflector: made in high gloss aluminium.
 Regulations: Manufactured in accordance with standards EN60598-1, EN60598-2-2.
 Power factor: ≥ 0.95
 Photobiological safety class: Exempt group.
 Luminous flux maintenance 70%: 30.000h (L70B50).



Code	Gear	Kg	Lumen Output-K-CRI	WTot	Colour
22084413-00	CLD	0,28	LED-1500lm-4000K-CRI>80	20 W	WHITE

Accessori



- EM Kit R

The reported luminous flux is the flux emitted by the light source with a tolerance of $\pm 10\%$ compared to the indicated value. The W tot column indicates the total wattage absorbed by the system without exceeding 10% of the indicated