

Spy 2 - LED

Housing : in die-cast aluminium.

Coating: fluid-coated with a humidity resistant, UV-stabilized acrylic-resin paint.
Lampholder: ceramic with silver-plated contacts, or PBT with phosphorous bronze contacts.

Electric gear: supplied with inbuilt 350mA power supply for 1W monochromatic LED lights; 700mA power supply for 3W monochromatic LED lights; with 6 pole terminal block for monochromatic LED and RGB power connection. Available upon request.

Equipment: supplied with 2 IP65 cable glands for max 7 mm external diameter cables. 6 pole terminal block

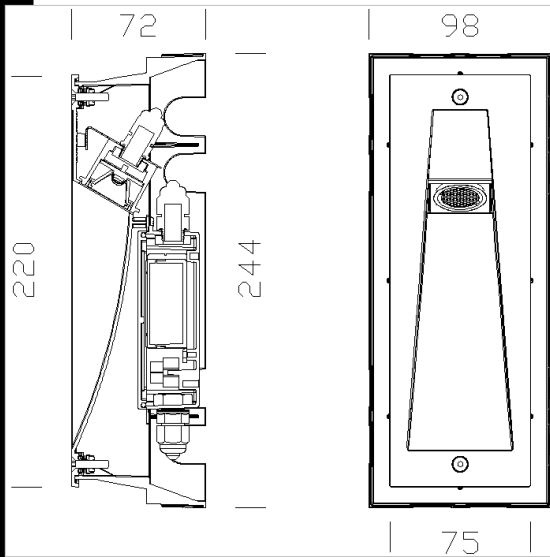
Regulations: manufactured in compliance with EN 60598-1-CEI 34.21 standards, protection level according to EN 60529 standards.

Lamps: Supplied with 1.2-2.6W WHITE LED and LED RGB.

Download

DXF 2D
- spy2.dxf

Montaggi
- spy 1 2.dxf
- SPY1-2 04-08.pdf



Code	Gear	Kg	Lumen Output-K-CRI	WTot	Colour
22084272-00	CLD CELL	0,45	LED-88lm-6500K-	1 W	ARGENTO
22084271-00	CLD CELL	0,45	LED-88lm-3200K-CRI 90	1 W	ARGENTO
22084274-00	CLD CELL	0,45	LED-170lm-6000K-	3 W	ARGENTO
22084273-00	CLD CELL	0,45	LED-127lm-3200K-CRI 90	3 W	ARGENTO

The reported luminous flux is the flux emitted by the light source with a tolerance of $\pm 10\%$ compared to the indicated value. The W tot column indicates the total wattage absorbed by the system without exceeding 10% of the indicated