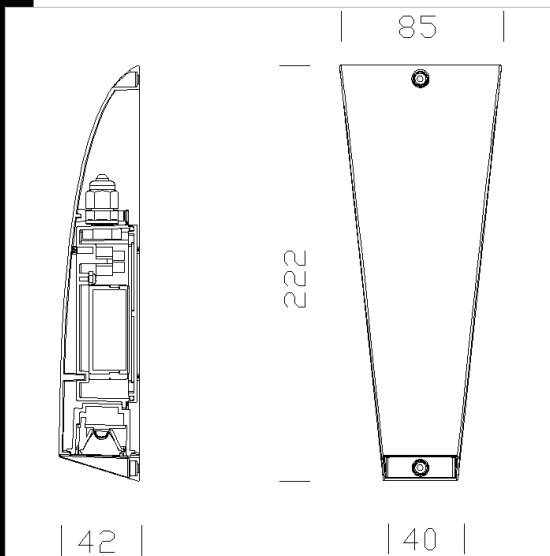


Spy 1 - LED RGB

Housing : in die-cast aluminium.
 Coating: fluid-coated with a humidity resistant, UV-stabilized acrylic-resin paint.
 Lampholder: ceramic with silver-plated contacts, or PBT with phosphorous bronze contacts.
 Electric gear: supplied with inbuilt 350mA power supply for LED RGB; with 6 pole terminal block for RGB power connection. Available upon request.
 Equipment: supplied with 2 IP65 cable glands for max 7 mm external diameter cables. 6 pole terminal block for Monochromatic POWERLED and POWERLED RGB power connection.
 Regulations: manufactured in compliance with EN 60598-1-CEI 34.21 standards, protection level according to EN 60529 standards.
 Lamps: Supplied with LED RGB.

Download

- DXF 2D
- spy1.dxf
- Montaggi
- SPY1-2 04-08.pdf
- spy 1 2.dxf



Code	Gear	Kg	Lumen Output-K-CRI	WTot	Colour
22084175-00	CLD S+L	0.30	LED 3.2W RGB-R30 G40 B9--	3 W	ARGENTO

Accessories



- Kit 1



- Kit 2

The reported luminous flux is the flux emitted by the light source with a tolerance of $\pm 10\%$ compared to the indicated value. The W tot column indicates the total wattage absorbed by the system without exceeding 10% of the indicated