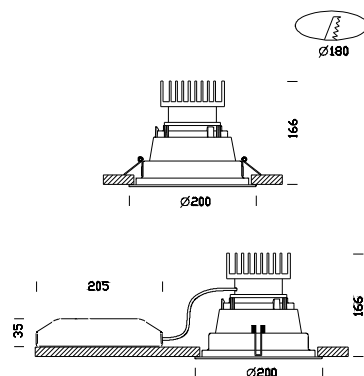


Milano S LED - matt



Code	Gear	Kg	Colour	Dimensions	W Tot	lamp
22083761-00	CLD CELL	1.00	grey + glazed	0x0x166 Ø200	31	LED white 31W-3000lm-4000K-CRI 90
22083761-09	CLD CELL-E	1.00	grey + glazed	0x0x166 Ø200	31	LED white 31W-3000lm-4000K-CRI 90
22083761-1241	CLD CELLD	1.00	grey + glazed	0x0x166 Ø200	31	LED white 31W-3000lm-4000K-CRI 90
22083761-9441	CLD CELLD-E	1.00	grey + glazed	0x0x166 Ø200	31	LED white 31W-3000lm-4000K-CRI 90

Adequate lighting ensures proper perception of the environment and enables us to feel comfortable with our surroundings. This is the concept underlying the creation of the Milano recessed floodlight, ideal for quick, low-cost installation in any exhibition setting and fulfil interior decorators' artificial lighting requirements.

Housing: Made of steel sheet.

Reflector: V2 self-extinguishing polycarbonate matt

Coating: Power-coated with a UV-resistant polyester epoxy pain.

Standard supply: Includes adjustable steel bracket.

Regulations: Manufactured in accordance with standards EN60598 - CEI 34 -21. Degree of protection in accordance with standards EN60529.

LED: LED: high-efficiency light sources 3000lm - 4000K - 31W - CRI90

Power factor: >0,95

Luminous flux maintenance 70% 50000h (L70B50)

Photobiological safety class: exempt group EN62471.

Professional DALI dimmable product suited for spaces where lights stay on all day and night, ensuring high energy savings.