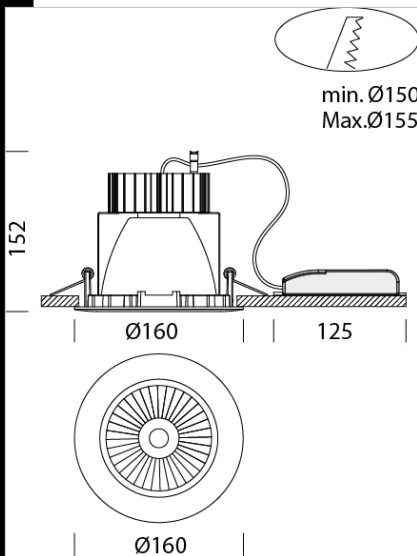


## Milano small UGR<16

Housing: in die cast aluminium  
 Coating: powder coating based on UV-stabilized acrylic resin chromate after treatment.  
 Standard supply: Includes adjustable steel bracket. Hinge opening of the glass holding ring for easier maintenance.  
 Regulations: Manufactured in accordance with standards EN60598 – CEI 34 –21. Degree of protection in accordance with standards EN60529.  
 Power factor: 0.9  
 Photobiological safety class: Exempt group.  
 Luminous flux maintenance 80%: 50.000h (L80B20).



Code	Gear	Kg	Lumen Output-K-CRI	WTot	Colour
22083518-00	CLD CELL	0,60	LED COB-2439lm-3000K-55°-CRI 92	25 W	WHITE
22083578-00	CLD CELL	0,86	LED COB-2439lm-3000K-55°-CRI 92	25 W	SILVER
22083519-00	CLD CELL	0,85	LED COB-2593lm-4000K-55°-CRI 92	25 W	WHITE
22083579-00	CLD CELL	0,86	LED COB-2593lm-4000K-55°-CRI 92	25 W	SILVER
22083518-1241	CLD CELL-D-D	0,88	LED COB-2439lm-3000K-55°-CRI 92	25 W	WHITE
22083578-1241	CLD CELL-D-D	0,88	LED COB-2439lm-3000K-55°-CRI 92	25 W	SILVER
22083519-1241	CLD CELL-D-D	0,84	LED COB-2593lm-4000K-55°-CRI 92	25 W	WHITE
22083579-1241	CLD CELL-D-D	0,88	LED COB-2593lm-4000K-55°-CRI 92	25 W	SILVER
22083578-09	CLD CELL-E	1,30	LED COB-2439lm-3000K-55°-CRI 92	25 W	SILVER
22083519-09	CLD CELL-E	1,30	LED COB-2593lm-4000K-55°-CRI 92	25 W	WHITE
22083579-09	CLD CELL-E	1,30	LED COB-2593lm-4000K-55°-CRI 92	25 W	SILVER
22083518-31	CLD CELL-E	1,30	LED COB-2439lm-3000K-55°-CRI 92	25 W	WHITE
22083578-31	CLD CELL-E	1,30	LED COB-2439lm-3000K-55°-CRI 92	25 W	SILVER
22083519-31	CLD CELL-E	1,30	LED COB-2593lm-4000K-55°-CRI 92	25 W	WHITE
22083579-31	CLD CELL-E	1,30	LED COB-2593lm-4000K-55°-CRI 92	25 W	SILVER

### Download

DXF 2D  
 - mismallugr.dxf

Montaggi  
 - MILANO SMALL COB rev4.pdf

The reported luminous flux is the flux emitted by the light source with a tolerance of  $\pm 10\%$  compared to the indicated value. The W tot column indicates the total wattage absorbed by the system without exceeding 10% of the indicated