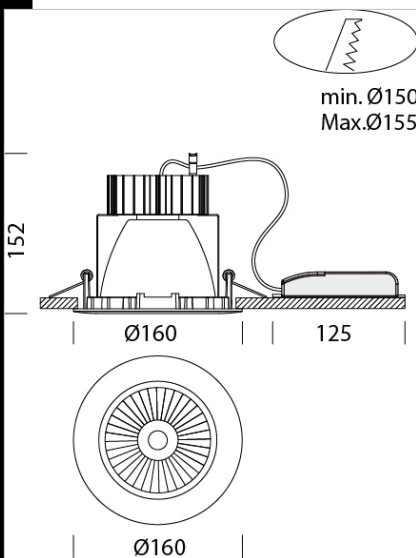


Milano small UGR<16

Housing: in die cast aluminium
 Coating: powder coating based on UV-stabilized acrylic resin chromate after treatment.
 Standard supply: Includes adjustable steel bracket. Hinge opening of the glass holding ring for easier maintenance.
 Regulations: Manufactured in accordance with standards EN60598 – CEI 34 –21. Degree of protection in accordance with standards EN60529.
 Power factor: 0.9
 Photobiological safety class: Exempt group.
 Luminous flux maintenance 80%: 50.000h (L80B20).

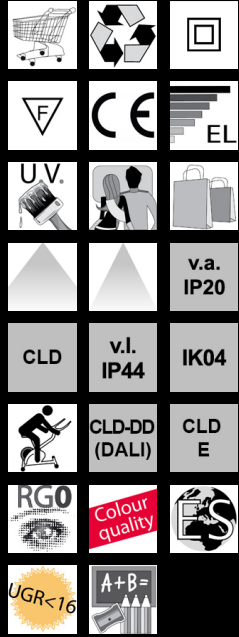


Code	Gear	Kg	Lumen Output-K-CRI	WTot	Colour
22083518-00	CLD	0,60	LED COB-2439lm-3000K-55°-CRI>90	25 W	WHITE
22083578-00	CLD	0,86	LED COB-2439lm-3000K-55°-CRI>90	25 W	SILVER
22083519-00	CLD	0,85	LED COB-2593lm-4000K-55°-CRI>90	25 W	WHITE
22083579-00	CLD	0,86	LED COB-2593lm-4000K-55°-CRI>90	25 W	SILVER
22083518-1241	CLD-D-D	0,88	LED COB-2439lm-3000K-55°-CRI>90	25 W	WHITE
22083578-1241	CLD CELL-D-D	0,88	LED COB-2439lm-3000K-55°-CRI>90	25 W	SILVER
22083519-1241	CLD-D-D	0,84	LED COB-2593lm-4000K-55°-CRI>90	25 W	WHITE
22083579-1241	CLD CELL-D-D	0,88	LED COB-2593lm-4000K-55°-CRI>90	25 W	SILVER

Accessori



- EM Kit R



Download

DXF 2D
 - mismallugr.dxf
 Montaggi
 - MILANO SMALL COB rev4.pdf

The reported luminous flux is the flux emitted by the light source with a tolerance of ± 10% compared to the indicated value. The W tot column indicates the total wattage absorbed by the system without exceeding 10% of the indicated