



Milano Small Q - SMD DIMM - Home

A small-sized recessed downlight

Housing: Vandal-resistant, V2 self-extinguishing, UV-stabilized, anti-yellowing polycarbonate. Colours : RAL9010 white, metallic, matt.

Standard supply includes wire springs for 1 to 30 mm false-ceiling panels.

Installation: is equipped with galvanised steel support brackets, with housing for springs for attachment to the false ceilings.

Regulations: Manufactured in accordance with standards EN60598 – CEI 34 –21. Degree of protection in accordance with standards EN60529.

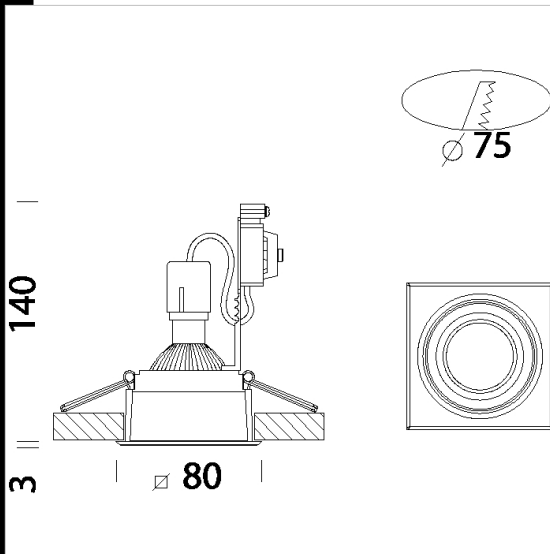
DIM IGBT

Power factor: 0.9

Photobiological safety class: Exempt group.

Luminous flux maintenance 70%: 15.000h (L80B20).

recessed \varnothing 74/78mm



Code	Gear	Kg	Lumen Output-K-CRI	WTot	Colour
22083213-00	CLD-DI	0,10	LED SMD-500lm-3000K-38°-CRI 80	6 W	WHITE
22083263-00	CLD-DI	0,10	LED SMD-500lm-3000K-38°-CRI 80	6 W	CHROME
22083273-00	CLD-DI	0,10	LED SMD-500lm-3000K-38°-CRI 80	6 W	MATT
22083214-00	CLD CELL-DI	0,25	LED SMD-744lm-3000K-38°-CRI 80	12 W	WHITE
22083264-00	CLD CELL-DI	0,25	LED SMD-744lm-3000K-38°-CRI 80	10 W	CHROME
22083274-00	CLD CELL-DI	0,25	LED SMD-744lm-3000K-38°-CRI 80	12 W	MATT

The reported luminous flux is the flux emitted by the light source with a tolerance of $\pm 10\%$ compared to the indicated value. The W tot column indicates the total wattage absorbed by the system without exceeding 10% of the indicated