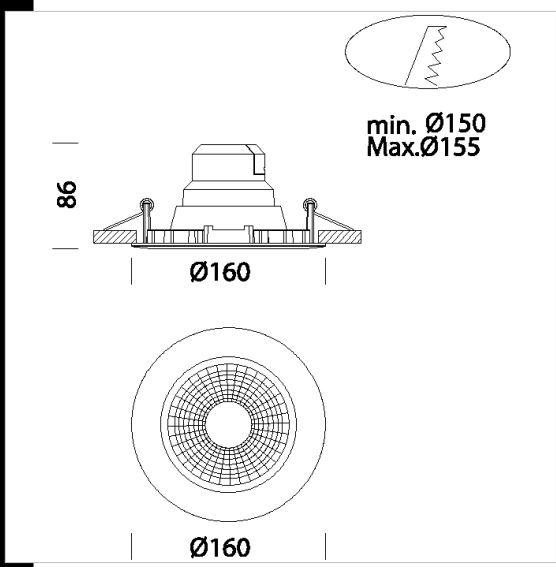




Milano small - DLA

Housing: in die cast aluminium
 Coating: powder coating based on UV-stabilized acrylic resin chromate after treatment.
 Standard supply: Includes adjustable steel bracket. Hinge opening of the glass holding ring for easier maintenance.
 Regulations: Manufactured in accordance with standards EN60598 – CEI 34 –21. Degree of protection in accordance with standards EN60529.
 LED: 1000lm - 3000/4000K - 12W- CRI80 - 60°
 Power factor: >0,95
 Luminous flux maintenance 70% 30000h (L70B50)
 Photobiological safety class: exempt group EN62471.

Download
 DXF 2D
 - miugrsmall.dxf



Code	Gear	Kg	Watt	Base	Lamps	Colour
22083178-00	CLD CELL	0,36	LED DLA 12W		1000lm-3000K-CRI 80	SILVER
22083179-00	CLD CELL	0,36	LED DLA 12W		1000lm-4000K-CRI 80	SILVER