



## Milano Small T - SMD DIMM - Home

A small-sized recessed downlight

Housing: Vandal-resistant, V2 self-extinguishing, UV-stabilized, anti-yellowing polycarbonate. Colours : RAL9010 white, metallic, matt.

Standard supply includes wire springs for 1 to 30 mm false-ceiling panels.

Installation: is equipped with galvanised steel support brackets, with housing for springs for attachment to the false ceilings.

Regulations: Manufactured in accordance with standards EN60598 – CEI 34 –21. Degree of protection in accordance with standards EN60529.

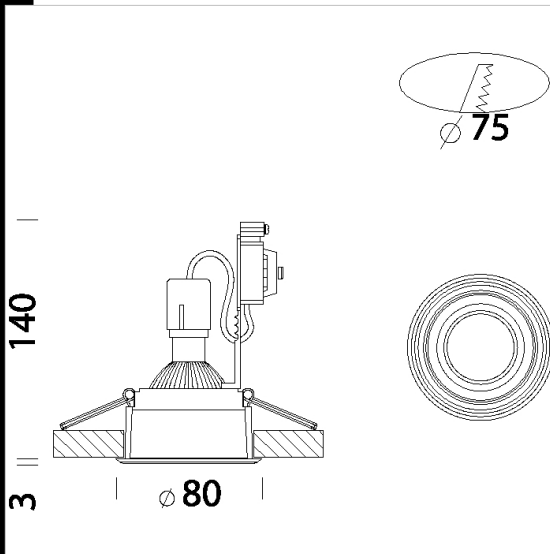
DIM IGBT

Power factor: 0.9

Photobiological safety class: Exempt group.

Luminous flux maintenance 70%: 15.000h (L80B20).

recessed  $\varnothing$  74/78mm



| Code        | Gear        | Kg   | Lumen Output-K-CRI             | WTot | Colour |
|-------------|-------------|------|--------------------------------|------|--------|
| 22083113-00 | CLD-DI      | 0,10 | LED SMD-500lm-3000K-38°-CRI 80 | 6 W  | WHITE  |
| 22083173-00 | CLD-DI      | 0,10 | LED SMD-500lm-3000K-38°-CRI 80 | 6 W  | MATT   |
| 22083163-00 | CLD-DI      | 0,10 | LED SMD-500lm-3000K-38°-CRI 80 | 6 W  | CHROME |
| 22083114-00 | CLD CELL-DI | 0,26 | LED SMD-744lm-3000K-38°-CRI 80 | 12 W | WHITE  |
| 22083164-00 | CLD CELL-DI | 0,25 | LED SMD-744lm-3000K-38°-CRI 80 | 12 W | CHROME |
| 22083174-00 | CLD CELL-DI | 0,25 | LED SMD-744lm-3000K-38°-CRI 80 | 10 W | MATT   |

The reported luminous flux is the flux emitted by the light source with a tolerance of  $\pm 10\%$  compared to the indicated value. The W tot column indicates the total wattage absorbed by the system without exceeding 10% of the indicated