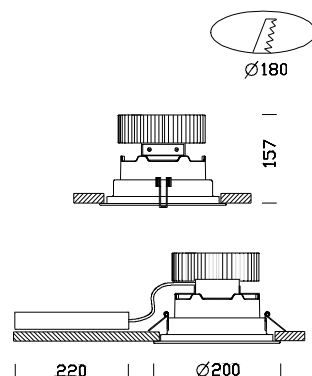


Milano 3000 DLM - GEN IV



Code	Gear	Kg	Colour	Dimensions	W Tot	lamp
22083067-1241	CLD CELLDD	1.20	white + met	0x0x157 Ø200	34	LED DLM 3000-3000lm-3000K-CRI 80
22083069-1241	CLD CELLDD	1.20	white + met	0x0x157 Ø200	32	LED DLM 3000-3000lm-4000K-CRI80
22083067-12	CLD CELL-D	1.20	white + met	0x0x157 Ø200	34	LED DLM 3000-3000lm-3000K-CRI 80
22083069-12	CLD CELL-D	1.20	white + met	0x0x157 Ø200	32	LED DLM 3000-3000lm-4000K-CRI80
22083067-00	CLD CELL	1.20	white + met	0x0x157 Ø200	34	LED DLM 3000-3000lm-3000K-CRI 80
22083069-00	CLD CELL	1.20	white + met	0x0x157 Ø200	32	LED DLM 3000-3000lm-4000K-CRI80

Adequate lighting ensures proper perception of the environment and enables us to feel comfortable with our surroundings. This is the concept underlying the creation of the Milano recessed floodlight, ideal for quick, low-cost installation in any exhibition setting and fulfil interior decorators' artificial lighting requirements.

Housing: Made of steel sheet.

Reflector: V2 self-extinguishing polycarbonate; aluminium powder coated through a C.V.D. hard-vacuum process for greater light control and efficiency.

Standard supply: Includes adjustable steel bracket. Hinge opening of the glass holding ring for easier maintenance.

Regulations: Manufactured in accordance with standards EN60598 - CEI 34 -21. Degree of protection in accordance with standards EN60529.

LED: 3000/4000K - 3000lm - CRI80 - 32/34W - 50000h

On request IP44 version

Power factor: >0,95

Luminous flux maintenance 70% 50000h (L70B50)