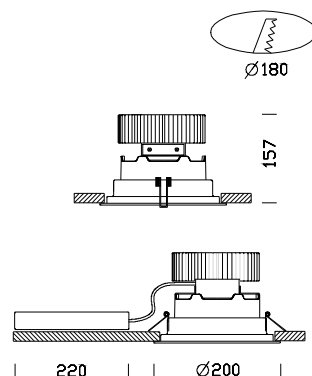


## Milano DLM FLEX 3000



Code	Gear	Kg	Colour	Dimensions	W Tot	lamp
22083067-00	CLD CELL	1.20	white + met	0x0x157 Ø200	27	LED DLM FLEX 3000-3000lm-3000K-CRI 80
22083069-00	CLD CELL	1.20	white + met	0x0x157 Ø200	25	LED DLM FLEX 3000-3000lm-4000K-CRI 80

Adequate lighting ensures proper perception of the environment and enables us to feel comfortable with our surroundings. This is the concept underlying the creation of the Milano recessed floodlight, ideal for quick, low-cost installation in any exhibition setting and fulfil interior decorators' artificial lighting requirements.

Housing: Made of steel sheet.

Reflector: V2 self-extinguishing polycarbonate; aluminium powder coated through a C.V.D. hard-vacuum process for greater light control and efficiency.

Coating: Power-coated with a UV-resistant polyester epoxy pain.

Standard supply: Includes adjustable steel bracket. Hinge opening of the glass holding ring for easier maintenance.

Regulations: Manufactured in accordance with standards EN60598 - CEI 34 -21. Degree of protection in accordance with standards EN60529.

LED: high-efficiency light sources 3000/4000K - 3000lm - CRI80 - 27/25W

Power factor: >0,95

Luminous flux maintenance 70% 60000h (L70B50)

Photobiological safety class: exempt group EN62471.